

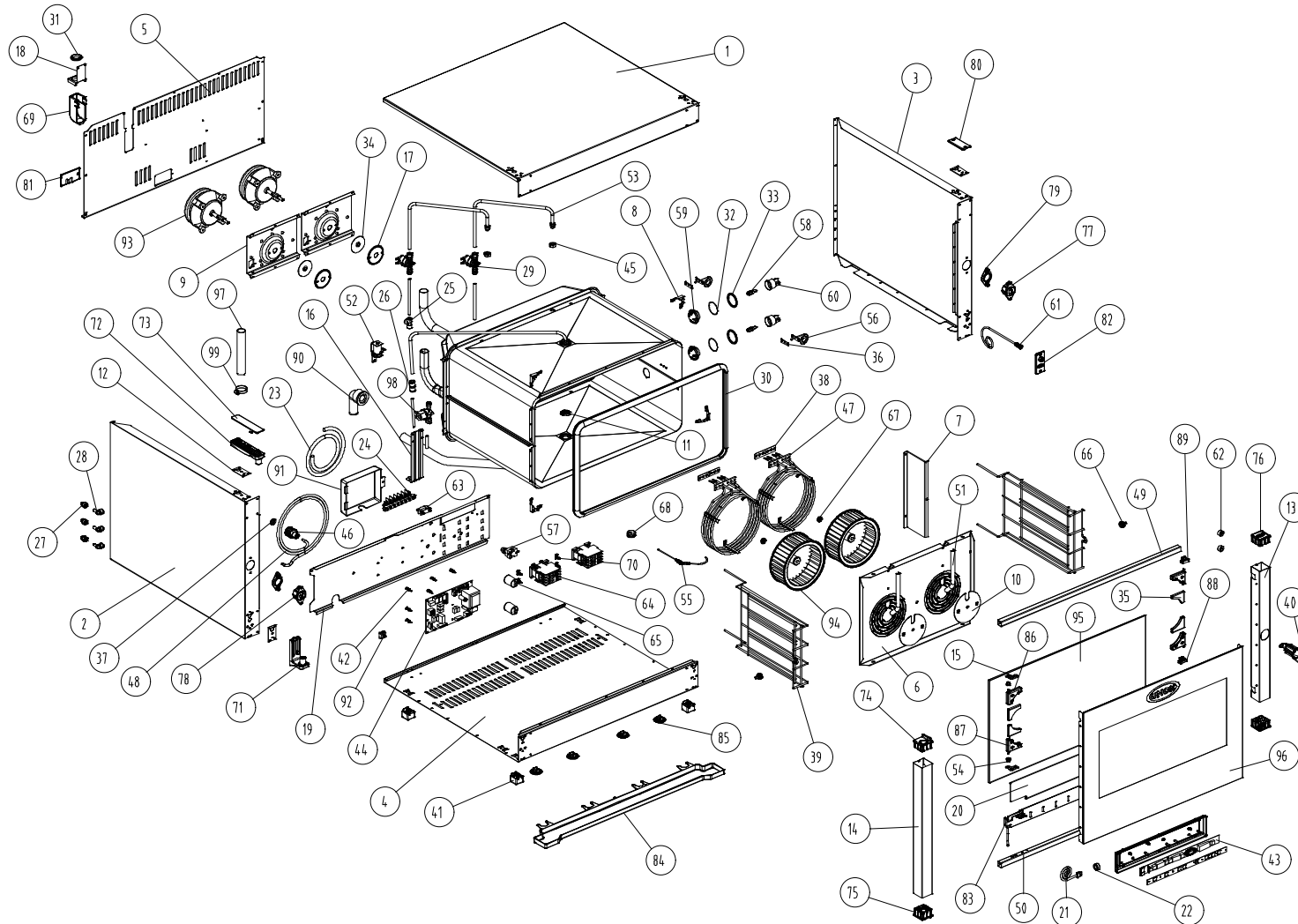
MOD: XJBC404

EXPLODED VIEW DISEGNO ESPLOSO



LEGEND - LEGENDA

1	OD1600A0	56	TR1045A0
2	OD1615B0	57	TR255B
3	OD1616B0	58	VE1005A1
4	OE1180A0	59	VE1010A1
5	OF1215A0	60	VE1015A1
6	OG1245A1	61	VE1020A0
7	OG1251A0	62	VE1030A1
8	OH1450A0	63	VE1075A0
9	OH2015A1	64	VE1095A0
10	OH2100A0	65	VE1140A0
11	OH2550A0	66	VII035A1
12	OH2560A0	67	VII1335A0
13	OH2565A0	68	VII1515A1
14	OH2566A0	69	VM1065A0
15	OH2650A0	70	VM1075A1
16	OH2730A0	71	VM1160A0
17	OH3020A0	72	VM1165A0
18	OH3042A0	73	VM1166A0
19	OH3150A0	74	VM1170A0
20	OH3155A0	75	VM1171A0
21	CE1275A0	76	VM1175A0
22	CE1285A0	77	VM1190A1
23	CE1355A0	78	VM1191A1
24	CE212	79	VM1192A0
25	EL1020A0	80	VM1195A0
26	EL1055A0	81	VM1196A0
27	EL1185A0	82	VM1201A0
28	EL1195A0	83	VM1207A0
29	EL1250A0	84	VM1217A0
30	GN1000B0	85	VM1220A0
31	GN1045A0	86	VM1230A0
32	GN1055A0	87	VM1231A0
33	GN1065A1	88	VM1235A0
34	GN1140A0	89	VM1236A0
35	GN1180A0	90	VM1260A0
36	GN1190A0	91	VM1310A0
37	GN1200A0	92	VM250
38	GN224	93	VNI000B0
39	GR1000A0	94	VNI030A2
40	VM1180A0	95	VTI130A0
41	PD1001A0	96	VTI131A1
42	PE102	97	TB1520A0
43	PE1610A0	98	EL1252A0
44	PE1365C1	99	RC1055A0
45	RC1170A1		
46	RC1210A0		
47	RS1155A0		
48	TB008		
49	TB1100A0		
50	TB1101A0		
51	TB1115A0		
52	VE1110A0		
53	TB1515A0		
54	TF1010A0		
55	TR1040A1		



DESCRIZIONE CODICI

1	OD1600A0	COPERCHIO INOX XBC404/604/804
2	OD1615B0	FIANCO SX INOX XBC404
3	OD1616B0	FIANCO DX INOX XBC404
4	OE1180A0	FONDO ESTERNO INOX XBC404/604/804
5	OF1215A0	SCHIENA INOX XBC404
6	OG1245A1	CARTER ARIA INOX XBC404
7	OG1251A0	DISTANZIALE CARTER ARIA INOX XBC404
8	OH1450A0	ANGOLO FACCIATA MUFFOLA INOX XB-XV-XG L.M.
9	OH2015A1	PROFLO SOSTEGNO MOTORE XV203G/403G L.M.
10	OH2100A0	DISCO RIDUZIONE PORTATA ARIA D=124 INOX L.M.
11	OH2550A0	TAPPO PER TUBO DI SCARICO INOX C.T.
12	OH2560A0	CONTROSTAFFA ZINCATA PORTA C.T.
13	OH2565A0	COLONNINA LATERALE DX INOX PORTA XVC204/304
14	OH2566A0	COLONNINA LATERALE SX INOX PORTA XVC204/304
15	OH2650A0	CERNIERA INOX VETRO INTERNO XVC204/304/504/704
16	OH2730A0	STAFFA ZINCATA SOSTEGNO MUFFOLA XVC204/304/504/704
17	OH3020A0	DISCO TENUTA ALBERO MOTORE INOX
18	OH3042A0	COPERCHIO CAMMINO INOX XBC404/604/804
19	OH3150A0	PROFLO PORTA COMPONENTI INOX XBC404/604/804
20	OH3155A0	PROFLO PARACALORE CRUSCOTTO INOX XBC404/604/804
21	CE1275A0	CAVO COLLEGAMENTO POTENZA CONTROLLO L=2,5 MT
22	CE1285A0	FERRITE EMI ROUND MOD. 2643801502
23	CE1355A0	CAVO 5 X 2,5 MMQ H07RNF L = 1,5 MT
24	CE212	MORSETT. SFK/7FTW GV V0 00160593
25	EL1020A0	RACCORDO INTERMEDIO "T" TUBO ø8
26	EL1055A0	RIDUZIONE J.G. DA D=10 A D=8 PM201008E
27	EL1185A0	RACCORDO A GOMITO J.GUEST Ø8 - Ø8
28	EL1195A0	RACCORDO A GOMITO CON J.GUEST CODOLO D8 - D8
29	EL1250A0	ELETTROVALVOLA H2O 1 VIA RID. ROSSO JG IN Ø8-OUT Ø10 240
30	GN1000B0	GUARNIZIONE NERA 50 SHORE FORNII XB-XG-XV
31	GN1045A0	GUARN. ANTIVIBR. CAMMINO-SCARICO ø131-øe39,9-Sp=7,5
32	GN1055A0	OR 46x2 VMQ 70 ROSSO
33	GN1065A1	GUARNIZIONE PORTALAMPADA DE=53.2 DI=44.2 SP=3.2 PTFE P
34	GN1140A0	GUARNIZIONE PORTAMOTORE STAMP. ALBERO MOT. D10 XB-X
35	GN1180A0	GUARNIZIONE CERNIERE VETRO INT. CARBOGRAFITE XVC204/304
36	GN1190A0	GUARNIZIONE SONDA DI TEMPERATURA C.T.
37	GN1200A0	GUARNIZIONE D=24 RACCORDO 3/4 GOMMA+RETE
38	GN224	GUARN. PTFE+CARB 100x22x0,8sp-c/fori 1999
39	GR1000A0	GRIGLIA LAT. INOX PASTICCERIA 4TG
40	VM1180A0	IMPUGNATURA MANIGLIA XVC204/304/504/704
41	PD1001A0	PIEDINO 35X35 H26 PLASTICA+GOMMA GRIGIO
42	PE102	SUPPORTO PER SCHEDA 24POT98
43	PE1610A0	ASSIEME SCHEDA CONTR. PE1355DD + COPERCHIO CRUSCOTTO
44	PE1365C1	SCHEDA POTENZA C.T. SERIE 1 230V 50/60HZ
45	RC1170A1	DADO M14 H=8 CH=22 INOX
46	RC1210A0	RACCORDO 3/4 FEMM. - J.GUEST Ø8 CON FILTRO E VNR
47	RS1155A0	RESISTENZA CIRC. D=230 5 SPIRE INCOLOY H78 2900 + 2000 W
48	TB008	TUBO PE 7,93x4,75 TRASPARENTE
49	TB1100A0	LISTELLO QUADRO SUP PORTA INOX XBC404/604/804
50	TB1101A0	LISTELLO QUADRO INF PORTA INOX XBC404/604/804
51	TB1115A0	TUBO INTERNO UMIDITA D=16 SP=1 INOX XBC404
52	VE1110A0	CONDENSATORE 6,3 µF 450VAC 50/60Hz
53	TB1515A0	TUBO ESTERNO UMIDITA + RACCORDO INOX SALDATO
54	TF1010A0	BOCCOLA TEFLON CERNIERA VETRO INT. XVC204/304/504/704
55	TR1040A1	SONDA AL CUORE STAMPATA L=1320

DESCRIPTION

1	OD1600A0	STAINLESS STEEL COVER XBC404/604/804
2	OD1615B0	STAINLESS STEEL LEFT SIDE XBC404
3	OD1616B0	STAINLESS STEEL RIGHT SIDE XBC404
4	OE1180A0	STAINLESS STEEL EXTERNAL BOTTOM PANEL XBC404/604/804
5	OF1215A0	STAINLESS STEEL BACK PLATE XBC404
6	OG1245A1	STAINLESS STEEL FAN GUARD XBC404
7	OG1251A0	STAINLESS STEEL FAN GUARD SPACER XBC404
8	OH1450A0	STAINLESS STEEL MUFFLE FRONT FACE ANGLE XB-XV-XG-L.M.
9	OH2015A1	MOTOR SUPPORT PROFILE XV203G/403G/L.M.
10	OH2100A0	STAINLESS STEEL AIR FLOW REDUCTION DISK D=124 L.M.
11	OH2550A0	STAINLESS STEEL COVER FOR DRAIN PIPE CHEFTOP
12	OH2560A0	ZINC PLATED DOOR COUNTERSTIRRUP C.T.
13	OH2565A0	STAINLESS STEEL RIGHT DOOR COLUMN XVC204/304
14	OH2566A0	STAINLESS STEEL LEFT DOOR COLUMN XVC204/304
15	OH2650A0	STAINLESS STEEL INTERNAL GLASS HINGE XVC204/304/504/704
16	OH2730A0	ZINC PLATED MUFFLE SUPPORT BRACKET XVC204/304/504/704
17	OH3020A0	STAINLESS STEEL SEALING DISC FOR MOTOR
18	OH3042A0	STAINLESS STEEL EXHAUST PIPE COVER XBC404/604/804
19	OH3150A0	STAINLESS STEEL COMPONENTS HOLDER PLATE XBC404/604/804
20	OH3155A0	STAINLESS STEEL COVER HEAT PROTECTION PROFILE XBC404/604
21	CE1275A0	CONNECTION CABLE POWER - CONTROL BOARD L=2,5 MT
22	CE1285A0	EMI ROUND FERRITE MOD.2643801502
23	CE1355A0	CABLE 5 X 2,5 MMQ H07RNF L = 1,5 MT
24	CE212	TERMINAL BOARD SFK/7FTW GV V0 00160593
25	EL1020A0	MIDDLE "T" CONNECTION TUBE ø8
26	EL1055A0	J.G. REDUCTION FROM D=10 TO D=8 PM201008E
27	EL1185A0	ELBOW CONNECTION J. GUEST Ø8 - Ø8
28	EL1195A0	ELBOW UNION WITH J.GUEST TERMINAL Ø8 - D8
29	EL1250A0	WATER SOLENOID VALVE 1-WAY RED REDUCER JG INØ8-OUTØ10
30	GN1000B0	BLACK DOOR SEAL 50 SHORE OEVNS XB-XG-XV
31	GN1045A0	ANTIVIBR. SEAL FOR EXHAUST CHIMNEY ø131-øe39,9-Sp=7,5
32	GN1055A0	OR 46x2 VMQ 70 RED
33	GN1065A1	SEAL FOR LAMP GLASS COVER (PURE PTFE) DE=53.2 DI=44.2 TH=
34	GN1140A0	MOTOR GASKET
35	GN1180A0	INTERNAL GLASS HINGE CARBOGRAPHITE GASKET XVC204/304/
36	GN1190A0	CHEFTOP TEMPERATURE PROBE SEAL
37	GN1200A0	SEAL D=24 CONNECTION 3/4 RUBBER+NET
38	GN224	PTFE+CARB 100x22x0,8sp-w/holes 1999 GASKET
39	GR1000A0	STAINLESS STEEL LATERAL SUPPORT 4 TRAYS 600x400
40	VM1180A0	HANDLE HAFT XVC204/304/504/704
41	PD1001A0	FOOT 35X35 H26 GREY PLASTIC+RUBBER
42	PE102	SUPPORT FOR CARD 24POT98
43	PE1610A0	CONTROL BOARD PE1355 + BOARD COVER C.T. B.T.
44	PE1365C1	POWER CARD C.T. SERIE 1 230V 50/60 HZ
45	RC1170A1	STAINLESS STEEL NUT M14 H=8 CH=22
46	RC1210A0	3/4 FEMALE CONNECTION - J. GUEST Ø8 WITH FILTER AND VNR
47	RS1155A0	CIRC. HEAT. ELEMENT D=230 5 INCOLOY TURNS H78 2900 + 20
48	TB008	TRANSPARENT TUBE PE 7,93x4,75
49	TB1100A0	DOOR STAINLESS STEEL UPPER SQUARE LISTEL XBC404/604/804
50	TB1101A0	DOOR STAINLESS STEEL LOWER SQUARE LISTEL XBC404/604/804
51	TB1115A0	STAINLESS STEEL INTERNAL WATER PIPE D=16 SP=1 XBC404
52	VE1110A0	CONDENSER 6,3 µF 450VAC 50/60Hz
53	TB1515A0	STAINLESS STEEL EXTERNAL WATER TUBE + WELDED CONNECTIO
54	TF1010A0	TEFLON BUSHING FOR INTERNAL GLASS HINGE XVC204/304/50
55	TR1040A1	MOLDED CORE PROBE L=1320

56	TR1045A0	TEMPERATURE PROBE NTC 150
57	TR255B	SAFETY THERMOSTAT+UNIPOL. 330°C Ty95H L=1300mm
58	VE1005A1	HALOGEN LAMP 40W
59	VE1010A1	TEMPERED LIGHT BULB GLASS COVER
60	VE1015A1	LAMP HOLDER SERIE 2 FOR HALOGEN LAMP
61	VE1020A0	MAGNETIC DOOR MICROSWITCH
62	VE1030A1	MAGNET FOR DOOR MICROSWITCH D=22,9mm
63	VE1075A0	CABLE PRESS FV 268 RO
64	VE1095A0	REMOTE CONTROL SWITCH GE 25A 230V 50/60 Hz CL01A400T6
65	VE1140A0	VENTURI ACTUATOR 200V 60 HZ SERIE 2
66	VII035A1	CHROMIUM PLATED BRASS NUT M6x12,5 TO STOP LATERAL SUP
67	VII335A0	STAINLESS STEEL FANS SPACER
68	VII515A1	STAINLESS STEEL CORE PROBE SUPPORT WITH CANAL FOR CABLE
69	VM1065A0	PLASTIC COVER FOR FUMES CHIMNEY L.M.
70	VM1075A1	PLASTIC CLIP TO FIX CONTACTORS
71	VM1160A0	LOWER DOOR BRACKET XVC204/304/504/704
72	VM1165A0	UPPER DOOR BRACKET XVC204/304/504/704
73	VM1166A0	CAP FOR DOOR UPPER STIRRUP XVC204/304/504/704
74	VM1170A0	DOOR UPPER FULCRUM-CAP XVC204/304/504/704
75	VM1171A0	DOOR LOWER FULCRUM-CAP XVC204/304/504/704
76	VM1175A0	DOOR COLUMN BLANKING CAP XVC204/304/504/704
77	VM1190A1	RIGHT DOOR SPRING LATCH XVC204/304/504/704
78	VM1191A1	LEFT DOOR SPRING LATCH XVC204/304/504/704
79	VM1192A0	DOOR SPRING LATCH CAP XVC204/304/504/704
80	VM1195A0	HOLES BLANKING PLATE XVC204/304/504/704
81	VM1196A0	PASSAGE PLATE FOR ACCESSORIES CABLES CHEFTOP
82	VM1201A0	SUPPORT PLATE FOR DOOR MAGNETIC MICROSWITCH
83	VM1207A0	DOOR DROP PRESERVER FORM XBC404/604/804
84	VM1217A0	DRIP TRAY XBC404/604/804
85	VM1220A0	CLIP TO FIX DRIP TRAY C.T.
86	VM1230A0	UPPER ALUMINIUM HINGE FOR INTERNAL GLASS XVC204/304/5
87	VM1231A0	LOWER ALUMINIUM HINGE FOR INTERNAL GLASS XVC204/304/5
88	VM1235A0	UPPER HOOK TO STOP INNER GLASS XVC204/304/504/704
89	VM1236A0	LOWER HOOK TO STOP INNER GLASS XVC204/304/504/704
90	VM1260A0	90°C CURVED DRAIN PIPE
91	VM1310A0	COVER FOR TERMINAL BOX XB/XV/XVC/XG
92	VM250	"COMB" TERMINAL BOARD
93	VNI000B0	MOTOR COND.5uf 200W ALB.M8 CONN.5 TERMINALS
94	VNI030A2	BLADE FAN D=196 H=81 38 BLADES M8 NUT
95	VTI130A0	INTERNAL GLASS 743x432x6 BETFL XBC404-XVC404
96	VTI131A1	SER. EXTERNAL GLASS 757x555x4 TFL XBC404-XVC404
97	TB1520A0	BLACK EPDM RUBBER PIPE D.int=38 TH=4
98	EL1252A0	ONE INLET WATER VALVE J.G.CONN. GREEN RED. Ø8-OUT Ø10 2
99	RC1055A0	STAINLESS STEEL CLIP TO THIGHT PIPES Ø25-40 H=12