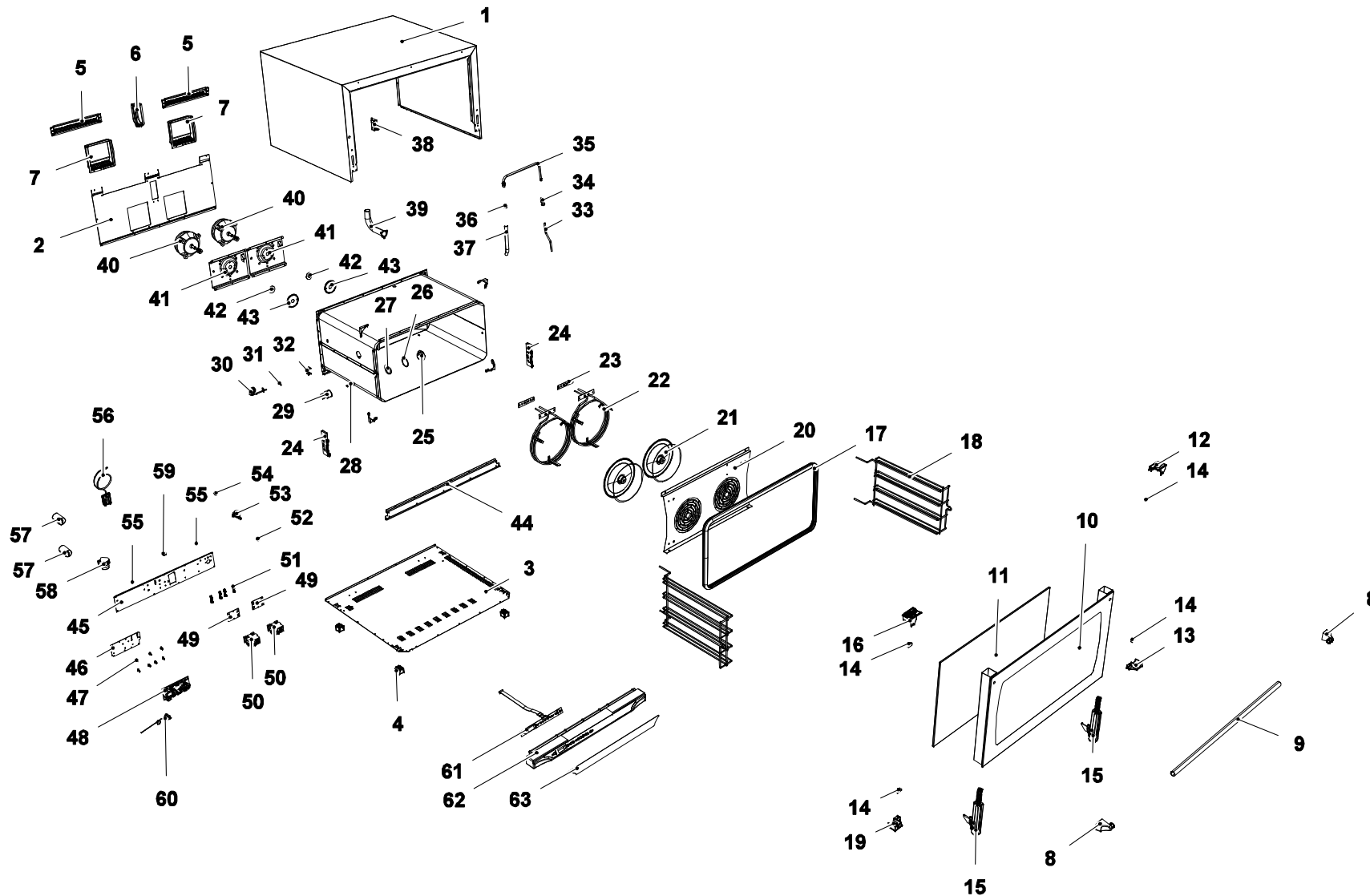


MOD: XF195-B

EXPLODED VIEW DISEGNO ESPLOSO





DESCRIZIONE CODICI

1	OD1285E0	MANTELLO LM ROSSELLA
2	OF1095C0	SCHIENA LM ROSSELLA
3	OE1081B0	FONDO LM 800
4	PD1001A0	PIEDINO 35X35 H26 PLASTICA+GOMMA GRIGIO
5	VM1950A0	GRONDAIA PLASTICA
6	VM1951A0	CUFFIA COPRICAMINO IP
7	VM1952A0	COPRIMOTORE IP
8	MG1015B0	TERMINALE MANIGLIA L.MISS/L.MICRO/CHEFTO
9	OH1930B0	TUBO MANIGLIA L= 718 Ø18x1
10	VT1072A0	VETRO ESTERNO SER. GRIGIO 798X424X5
11	VT1070B0	VETRO INTERNO 715X415X6 BETFL
12	VM1045B0	TAPPO SUP. DX COLONNINA PORTA
13	VM1050A0	TAPPO INF. DX COLONNINA PORTA
14	GN1265A0	GUARNIZIONE VETRO INTERNO XVC054/104
15	CR1050A1	CERNIERA PORTA FORNO RIBALTA XVC104-LM
16	VM1046B0	TAPPO SUP. SX COLONNINA PORTA
17	GN1110A2	GUARNIZIONE PORTA PROFILO 248
18	GRL1025A0	GRIGLIA LATERALE DX/SX CROMATA
19	VM1051A0	TAPPO INF. SX COLONNINA PORTA
20	OG1125B1	CARTER ARIA INOX L.M. ROSSELLA
21	VN1025A2	VENTOLA D=196 H=61 38 PALE INOX DADO M8
22	RS1090A1	RESISTENZA CIRCOLARE D=230 3 SPIRE
23	GN1327A0	GUARNIZIONE RES. 100X22
24	CR1000A0	ATTACCO CERNIERA PORTA FORNO RIBALTA
25	VT1195A0	VETRO COPRILAMPADA BOROSILICATO TEMPRATO
26	GN1055A0	OR 46x2 VMQ 70 ROSSO
27	GN1065A1	GUARNIZIONE PORTALAMPADA DE=53.2
28	VE1005A3	LAMPADA HALOPIN 25W
29	VE1015A1	PORTA LAMPADA SERIE 2 PER LAMPADA
30	TR1095A0	SONDA TEMPERATURA NTC 150 L=1050
31	GN1120A0	GUARNIZIONE SONDA DI TEMPERATURA NTC
32	OH4820A0	STAFFA SOSTEGNO BULBO
33	TB1815A0	TUBO PE 7,93X4,75 TRASPARENTE
34	EL1055A0	RIDUZIONE J.G. DA D=10 A D=8 PM201008E
35	OH1990A1	TUBO EST. UMIDITA' + RC1165A0
36	RC1170A1	DADO M14 H=8 CH=22 INOX
37	OH1975B0	TUBO INTERNO UMIDITA' Ø16x1
38	VE1295A0	MICROINTERRUTTORE PORTA MK 16A 230V UL
39	TB2121A0	CAMINO FUMI LM 800 Ø30x1
40	VN1000B0	MOTORE COND.5uF 200W ALB.M8 CONN.5 POLI
41	OH2015A1	PROFILO SOSTEGNO MOTORE XV203G/403G L.M.
42	GN1140A1	GUARNIZIONE PORTAMOTORE STAMP.
43	OH3020A1	DISCO TENUTA ALBERO MOTORE
44	OD1300B0	PROFILO INFERIORE FACCIATA INOX L.M. 800
45	OH6221A0	PORTACOMPONENTI ROSSELLA
46	OH6220A0	LAMIERA FISSAGGIO SCHEDE
47	PE1345A1	DISTANZIALE NYLON INCASTRO MASCHIO-INCAS
48	PE1175B0	SCHEDA POTENZA L.M. DYNAMIC 230V
49	OH6219A0	LAMIERA FISSAGGIO TELERUTTORI
50	VE1095A0	TELERUTTORE GE 25A 230V 50/60

51	VM1075A1	CLIP DI FISSAGGIO PER TELERUTTORI
52	EL1195A0	RACCORDO A GOMITO CON J.GUEST
53	EL1085A0	ELETTR.SING. ATT. J.GUEST INCORPORATO
54	VM1135A0	TAPPO COPERTURA INGRESSO ELETTROVALVOLE
55	VM1967A0	TAPPO FORO D10
56	CE1130A1	CAVO 5X1,5MMQ.H07RN-F L=1,5M + MORS.K1/6
57	CN1000A0	CONDENSATORE 5UF 450V
58	VE1555A0	INVERTITORE DI MARCIA
59	VM1750A0	MORSETTIERA A PETTINE
60	TR1136A0	TERMOSTATO SIC. UNIP. 330°C
61	PE1195C1	SCHEDA CONTROLLO L.M. DYNAMIC
62	PE1315A0	CRUSCOTTO COMANDI IN PLASTICA L.M. 800
63	MS1006A0	MASCHERINA SERIGRAFATA DYNAMIC LM 800

MOD: XF195-B

Pagina 3

**EXPLODED VIEW
DISEGNO ESPLOSO**





DESCRIPTION

1	OD1285E0	LINE MISS ROSSELLA OUTER CASING
2	OF1095C0	LINE MISS ROSSELLA BACK PANEL
3	OE1081B0	LINE MISS 800 BOTTOM PANEL
4	PD1001A0	FOOT 35X35 H26 GREY PLASTIC+RUBBER
5	VM1950A0	PLASTIC DRIP FLAP
6	VM1951A0	IP CHIMNEY COVER
7	VM1952A0	IP MOTOR COVER
8	MG1015B0	L.MISS/L.MICRO/CHEFTOP HANDLE TERMINALS
9	OH1930B0	HANDLE TUBE L= 718 Ø18x1
10	VT1072A0	LINE MISS ROSSELLA BLACK EXTERNAL GLASS
11	VT1070B0	INTERNAL GLASS 715x415x6 BTFL
12	VM1045B0	RIGHT UPPER LID FOR COLUMN FOR
13	VM1050A0	LOWER COVER FOR RIGHT COLUMN OF
14	GN1265A0	INTERNAL GLASS SEAL XVC054/104
15	CR1050A1	DOOR HINGE XVC104-LM ROSSELLA
16	VM1046B0	LEFT UPPER LID FOR COLUMN FOR
17	GN1110A2	DOOR GASKET PROFILE 248 LINE MISS-XCH030
18	GRL1025A0	RIGHT/LEFT LAT.GRID CHROMIUM-PLATED
19	VM1051A0	LOWER COVER FOR LEFT COLUMN OF
20	OG1125B1	L.M. ROSSELLA STAINLESS STEEL FAN GUARD
21	VN1025A2	FAN D=196 H=61 38 BLADES STAINLESS
22	RS1090A1	CIRC.HEAT. ELEMENT D=230 3 TURNS
23	GN1327A0	HEATING ELEMENT GASKET 100X22X0.8
24	CR1000A0	HINGE LATCH L.M.
25	VT1195A0	BOROSILICATE LIGHT BULB GLASS COVER
26	GN1055A0	OR 46x2 VMQ 70 RED
27	GN1065A1	SEAL FOR LAMP GLASS COVER (PURE
28	VE1005A3	HALOGEN LAMP 33W ENERGY SAVER
29	VE1015A1	LAMP HOLDER SERIE 2 FOR HALOGEN LAMP
30	TR1095A0	TEMPERATURE PROBE NTC 150 L=1050
31	GN1120A0	TEMPERATURE PROBE NTC SEAL
32	OH4820A0	BULB HOLDING BRACKET
33	TB1815A0	WHITE PE PIPE 7,93X4,75
34	EL1055A0	STRAIGHT REDUCTION FROM D=10 TO
35	OH1990A1	EXTERNAL WATER PIPE + STAINLESS
36	RC1170A1	STAINLESS STEEL NUT M14 H=8 CH=22
37	OH1975B0	L.M. 600x400 INTERNAL WATER PIPE
38	VE1295A0	DOOR MICROSWITCH MK 16A 230V UL
39	TB2121A0	LINE MISS 800 EX-HAUST CHIMNEY Ø30x1
40	VN1000B0	MOTOR COND.5UF 200W ALB.M8 CONN.5
41	OH2015A1	MOTOR SUPPORT PROFILE XV203G/403G/L.M.
42	GN1140A1	MOLDED MOTOR SUPPORT GASKET
43	OH3020A1	MOTOR SHAFT SEALING DISC
44	OD1300B0	L.M. 800 ST. STEEL FRONT LOWER PROFILE
45	OH6221A0	LINE MISS ROSSELLA COMPONENTS HOLDER
46	OH6220A0	BOARDS FIXING PANEL
47	PE1345A1	NYLON SPACER MALE-MALE H=14
48	PE1175B0	POWER CARD L.M. DYNAMIC 230V
49	OH6219A0	REMOTE CONTROL SWITCHES FIXING PANEL
50	VE1095A0	REMOTE CONTROL SWITCH GE 25A 230V

51	VM1075A1	PLASTIC CLIP TO FIX CONTACTORS
52	EL1195A0	ELBOW UNION WITH J.GUEST TERMINAL
53	EL1085A0	WATER SINGLE ELECTROVALVE WITH
54	VM1135A0	SOLENOID INLET CAP
55	VM1967A0	CAP FOR D10 HOLE
56	CE1130A1	CABLE 5x1,5MMQ H07RN-F L=1,5M
57	CN1000A0	CONDENSER 5UF 450V
58	VE1555A0	REVERS.SWITCH MOTOR P19.5J.02.H6.17
59	VM1750A0	TERMINAL BOARD
60	TR1136A0	SAFETY THERMOSTAT UNIP. 330°C
61	PE1195C1	CONTROL CARD L.M. DYNAMIC SERIE
62	PE1315A0	PLASTIC CONTROL PANEL L.M. 800
63	MS1006A0	L.M. 800 DYNAMIC STICKER WITH SERIGRAPHY