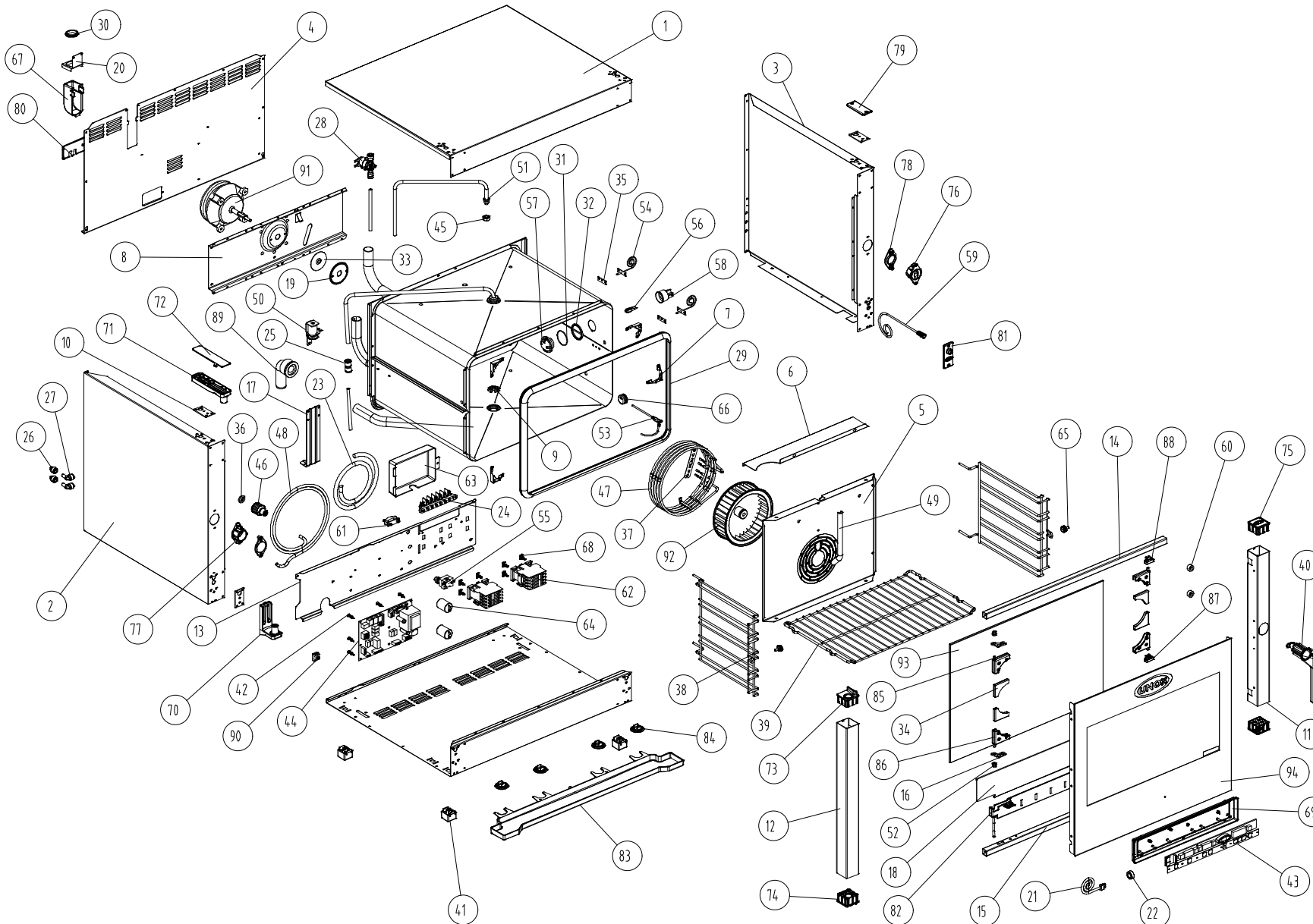


MOD: XVC304

EXPLODED VIEW DISEGNO ESPLOSO



LEGEND - LEGENDA

1	OD1445AO	56	VE1005A1
2	OD1450AO	57	VE1010A1
3	OD1451AO	58	VE1015A1
4	OF1160AO	59	VE1020AO
5	OG1170AO	60	VE1030A1
6	OG1190AO	61	VE1075AO
7	OH1450AO	62	VE1095AO
8	OH2005A1	63	VE1100AO
9	OH2550AO	64	VE221
10	OH2560AO	65	VI1035A1
11	OH2565AO	66	VI1515A1
12	OH2566AO	67	VM1065AO
13	OH2595AO	68	VM1075A1
14	OH2611AO	69	VM1150AO
15	OH2612AO	70	VM1160AO
16	OH2650AO	71	VM1165AO
17	OH2730AO	72	VM1166AO
18	OH2735AO	73	VM1170AO
19	OH3020AO	74	VM1171AO
20	OH3040AO	75	VM1175AO
21	CE1275AO	76	VM1190AO
22	CE1285AO	77	VM1191AO
23	CE1355AO	78	VM1192AO
24	CE212	79	VM1195AO
25	EL1055AO	80	VM1196AO
26	EL1185AO	81	VM1201AO
27	EL1195AO	82	VM1206AO
28	EL1250AO	83	VM1216AO
29	GN1000B0	84	VM1220AO
30	GN1045AO	85	VM1230AO
31	GN1055AO	86	VM1231AO
32	GN1065A1	87	VM1235AO
33	GN1140AO	88	VM1236AO
34	GN1180AO	89	VM1260AO
35	GN1190AO	90	VM250
36	GN1200AO	91	VNI1000B0
37	GN224	92	VNI025A2
38	GRL1045A1	93	VTI095AO
39	GRP850	94	VTI096AO
40	VM1180AO		
41	PD1001AO		
42	PE1345A1		
43	PE1355DO		
44	PE1365CO		
45	RC1170A1		
46	RC1210AO		
47	RS1150AO		
48	TB008		
49	TB1045AO		
50	VE1135AO		
51	TB1515AO		
52	TF1010AO		
53	TR1040A1		
54	TR1045AO		
55	TR255B		

MOD: XVC304

EXPLODED VIEW DISEGNO ESPLOSO



DESCRIZIONE CODICI

1	OD1445A0	COPERCHIO INOX XVC304/504/704
2	OD1450A0	FIANCO SX INOX XVC304
3	OD1451A0	FIANCO DX INOX XVC304
4	OF1160A0	SCIENNA INOX XVC304
5	OG1170A0	CARTER ARIA INOX XVC304
6	OG1190A0	DIVISORIO CARTER ARIA INOX XVC304/504/704
7	OH1450A0	ANGIOLO FACCIATA MUFFOLA INOX XB-XV-XG-LM.
8	OH2005A1	PROFILO SOSTEGNO MOTORE XB603/803
9	OH2550A0	TAPPO PER TUBO DI SCARICO INOX C.T.
10	OH2560A0	CONTROSTAFFA ZINCATA PORTA C.T.
11	OH2565A0	COLONNINA LATERALE SX INOX PORTA XVC204/304
12	OH2566A0	COLONNINA LATERALE DX INOX PORTA XVC204/304
13	OH2595A0	PROFILO PORTA COMPONENTI INOX XVC304/504/704
14	OH2611A0	LISTELLO QUADRO SUP PORTA INOX XVC304/504/704
15	OH2612A0	LISTELLO QUADRO INF PORTA INOX XVC304/504/704
16	OH2650A0	CERNIERA INOX VETRO INTERNO XVC204/304/504/704
17	OH2730A0	STAFFA ZINCATA SOSTEGNO MUFFOLA XVC204/304/504/704
18	OH2735A0	PROFILO INOX PARACALORE CRUSCOTTO XVC304/504/704
19	OH3020A0	DISCO TENUTA ALBERO MOTORE INOX
20	OH3040A0	PROFILO COPRICAMMINO INOX C.T.
21	CE1275A0	CAVO COLLEGAMENTO POTENZA CONTROLLO L=2,5 MT
22	CE1285A0	FERRITE EMI ROUND MOD. 2643801502
23	CE1355A0	CAVO 5 X 2,5 MMQ H07RNF L = 1,5 MT
24	CE212	MORSETT. SFK/7FTW GV V0 00160593
25	EL1055A0	RIDUZIONE J.G. DA D=10 A D=8 PM201008E
26	EL1185A0	RACCORDO A GOMITO J.GUEST Ø8 - Ø8
27	EL1195A0	RACCORDO A GOMITO CON J.GUEST CODOLO D8 - D8
28	EL1250A0	ELETTROVALVOILA H20 1 VIA RID. ROSSO JG IN Ø8-OUT Ø10 240
29	GN1000B0	GUARNIZIONE NERA 50 SHORE FORNI XB-XG-XV
30	GN1045A0	GUARN.LANT.VIBR. CAMMINO-SCARICO ø131-øe39,9-Sp=7,5
31	GN1055A0	OR 46x2 VMQ 70 ROSSO
32	GN1065A1	GUARNIZIONE PORTALAMPADA DE=53.2 DI=44.2 SP=3.2 PTFE P
33	GN1140A0	GUARNIZIONE PORTAMOTORE STAMP. ALBERO MOT. D10 XB-X
34	GN1180A0	GUARNIZIONE CERNIERE VETRO INT. CARBOGRAFITE XVC204/30
35	GN1190A0	GUARNIZIONE SONDA DI TEMPERATURA C.T.
36	GN1200A0	GUARNIZIONE D=24 RACCORDO 3/4 GOMMA+RETE
37	GN224	GUARN.PTFE+CARB 100x22x0,8sp-c/fori 1999
38	GRL1045A1	GRIGLIA LAT. DX/SX INOX 5TG GN
39	GRP850	GRIGLIA GNI/1 PIANA CROMATA
40	VM1180A0	IMPUGNATURA MANIGLIA XVC204/304/504/704
41	PD1001A0	PIEDINO 35X35 H26 PLASTICA+GOMMA GRIGIO
42	PE1345A1	DISTANZIALE NYLON INCASTRO MASCHIO-INCASTRO MASCHIO
43	PE1355D0	SCHEDA CONTROLLO TOUCH C.T. SERIE 1
44	PE1365C0	SCHEDA POTENZA C.T. SERIE 1 230V 50/60Hz
45	RC1170A1	DADO M14 H=8 CH=22 INOX
46	RC1210A0	RACCORDO 3/4 FEMM. - J. GUEST Ø8 CON FILTRO E VNR
47	RS1150A0	RESISTENZA CIRC. D=230 5 SPIRE INCOLOY H78 2900 + 2000 W
48	TB008	TUBO PE 7,93x4,75 TRASPARENTE
49	TB1045A0	TUBO INTERNO UMIDITA D=16 SP=1 INOX XVC204/304
50	VE1135A0	ATTUATORE VENTURI 220V 50/60 Hz SERIE 2
51	TB1515A0	TUBO ESTERNO UMIDITA + RACCORDO INOX SALDATO
52	TF1010A0	BOCCOLA TEFLON CERNIERA VETRO INT. XVC204/304/504/704
53	TR1040A1	SONDA AL CUORE STAMPATA L=1320
54	TR1045A0	SONDA TEMPERATURA NTC 150
55	TR255B	TERMOSTATO SIC.+UNIPOL.330°C Ty95H L=1300mm

56	VE1005A1	LAMPADA ALOGENA 40W 230V
57	VE1010A1	VETRO COPRILAMPADA TEMPERATO ANTISHOCK
58	VE1015A1	PORTA LAMPADA SERIE 2 PER LAMPADA ALOGENA
59	VE1020A0	MICROINTERRUTTORE PORTA MAGNETICO
60	VE1030A1	CALAMITA D=22,9mm PER MICROPORTA
61	VE1075A0	PRESSACAPO FV 268 RO
62	VE1095A0	TELERUTTORE GE 25A 230V 50/60 Hz CL01A400T6
63	VE1100A0	SCATOLA COPRI MORSETTIERA NYLON XBT/XVT
64	VE221	CONDENS.ICAR PRL 5uF 450V FASTON
65	VII035A1	NOTTOINO M6x12,5 CON TAGLIO OTT.CROM.FERMA GRIGIE X
66	VII515A1	SUPPORTO SONDA AL CUORE CON CAVA PER FILO INOX
67	VM1065A0	CUFFIA COPRI CAMMINO FUMI LM.
68	VM1075A1	CLIP DI FISSAGGIO PER TELERUTTORI
69	VM1150A0	COPERCHIO CRUSCOTTO C.T.
70	VM1160A0	STAFFA INFERIORE PORTA XVC204/304/504/704
71	VM1165A0	STAFFA SUPERIORE PORTA XVC204/304/504/704
72	VM1166A0	COPERCHIO STAFFA SUPERIORE PORTA XVC204/304/504/704
73	VM1170A0	TAPPO FULCRO SUPERIORE PORTA XVC204/304/504/704
74	VM1171A0	TAPPO FULCRO INFERIORE PORTA XVC204/304/504/704
75	VM1175A0	TAPPO ESTETICO COLONNINA PORTA XVC204/304/504/704
76	VM1190A0	SCROCCO MANIGLIA DX XVC204/304/504/704
77	VM1191A0	SCROCCO MANIGLIA SX XVC204/304/504/704
78	VM1192A0	COPERCHIO SCROCCO MANIGLIA XVC204/304/504/704
79	VM1195A0	PIASTRINA COPRIFORI XVC204/304/504/704
80	VM1196A0	PIASTRINA PASSAGGIO CAVI ACCESSORI C.T.
81	VM1201A0	PIASTRINA SUPPORTO MICROPORTA MAGNETICO
82	VM1206A0	PROFILO SALVAGOCIA PORTA XVC304/504/704
83	VM1216A0	CASSETTO RACCOGLIGOCCE XVC304/504/704
84	VM1220A0	CLIP FISSAGGIO CASSETTO RACCOGLIGOCCE C.T.
85	VM1230A0	CERNIERA SUP. ALLUMINIO VETRO INT. XVC204/304/504/704
86	VM1231A0	CERNIERA INF. ALLUMINIO VETRO INT. XVC204/304/504/704
87	VM1235A0	FERMA VETRO INTERNO SUP. XVC204/304/504/704
88	VM1236A0	FERMA VETRO INTERNO INF. XVC204/304/504/704
89	VM1260A0	CURVA A 90° RACCORDO SCARICO
90	VM250	MORSETT.A.PETTINE
91	VNI000B0	MOTORE COND.5uF 200W ALB.M8 CONN.5 POLI
92	VNI025A2	VENTOLA D=196 H=61 38 PALE INOX DADO M8
93	VTI095A0	VETRO INTERNO 633X432X6 BETFL XVC304
94	VTI096A0	VETRO ESTERNO SER. 647X557X4 CHIARO TFL XVC304

DESCRIPTION

1	OD1445A0	STAINLESS STEEL COVER XVC304/504/704
2	OD1450A0	STAINLESS STEEL LEFT SIDE PANEL XVC304
3	OD1451A0	STAINLESS STEEL RIGHT SIDE PANEL XVC304
4	OF1160A0	STAINLESS STEEL BACK PANEL XVC304
5	OG1170A0	STAINLESS STEEL FAN GUARD XVC304
6	OG1190A0	STAINLESS STEEL FAN GUARD PARTITION XVC304/504/704
7	OH1450A0	STAINLESS STEEL MUFFLE FRONT FACE ANGLE XB-XV-XG-LM.
8	OH2005A1	MOTOR SUPPORT PROFILE XB603/803
9	OH2550A0	STAINLESS STEEL COVER FOR DRAIN PIPE CHEFTOP
10	OH2560A0	ZINC PLATED DOOR COUNTERSTIRRUP C.T.
11	OH2565A0	STAINLESS STEEL LEFT DOOR COLUMN XVC204/304
12	OH2566A0	STAINLESS STEEL RIGHT DOOR COLUMN XVC204/304
13	OH2595A0	STAINLESS STEEL COMPONENTS HOLDER PLATE XVC304/504/70
14	OH2611A0	DOOR STAINLESS STEEL UPPER SQUARE LISTEL XVC304/504/704
15	OH2612A0	DOOR STAINLESS STEEL LOWER SQUARE LISTEL XVC304/504/704
16	OH2650A0	STAINLESS STEEL INTERNAL GLASS HINGE XVC204/304/504/704
17	OH2730A0	ZINC PLATED MUFFLE SUPPORT BRACKET XVC204/304/504/704
18	OH2735A0	STAINLESS STEEL HEAT-GUARD FOR PANEL XVC304/504/704
19	OH3020A0	STAINLESS STEEL SEALING DISC FOR MOTOR
20	OH3040A0	STAINLESS STEEL PLATE FOR CHIMNEY PROTECTION C.T.
21	CE1275A0	CONNECTION CABLE POWER - CONTROL BOARD L=2,5 MT
22	CE1285A0	EMI ROUND FERRITE MOD.2643801502
23	CE1355A0	CABLE 5 X 2,5 MMQ H07RNF L = 1,5 MT
24	CE212	TERMINAL BOARD SFK/7FTW GV V0 00160593
25	EL1055A0	J.G. REDUCTION FROM D=10 TO D=8 PM201008E
26	EL1185A0	ELBOW CONNECTION J. GUEST Ø8 - Ø8
27	EL1195A0	ELBOW UNION WITH J.GUEST TERMINAL D8 - D8
28	EL1250A0	WATER SOLENOID VALVE 1-WAY RED REDUCER JG INØ8-OUTØ10
29	GN1000B0	BLACK DOOR SEAL 50 SHORE OVENS XB-XG-XV
30	GN1045A0	ANTIVIBR.SEAL FOR EXHAUST CHIMNEY ø131-øe39,9-Sp=7,5
31	GN1055A0	OR 46x2 VMQ 70 RED
32	GN1065A1	SEAL FOR LAMP GLASS COVER (PURE PTFE) DE=53.2 DI=44.2 TH=
33	GN1140A0	MOTOR GASKET
34	GN1180A0	INTERNAL GLASS HINGE CARBOGRAPHITE GASKET XVC204/304/
35	GN1190A0	CHEFTOP TEMPERATURE PROBE SEAL
36	GN1200A0	SEAL D=24 CONNECTION 3/4 RUBBER+NET
37	GN224	PTFE+CARB 100x22x0,8sp-w/holes 1999 GASKET
38	GRL1045A1	RIGHT/LEFT LATERAL GRID STAINLESS STEEL 5 TRAYS GN 1/1
39	GRP850	GRID GNI/1 FLAT CHROMIUM-PLATED
40	VM1180A0	HANDLE HAFT XVC204/304/504/704
41	PD1001A0	FOOT 35X35 H26 GREY PLASTIC+RUBBER
42	PE1345A1	NYLON SPACER MALE-MALE H=14
43	PE1355D0	CONTROL CARD TOUCH C.T. SERIE 1
44	PE1365C0	POWER CARD C.T. SERIE 1 230V 50/60 HZ
45	RC1170A1	STAINLESS STEEL NUT M14 H=8 CH=22
46	RC1210A0	3/4 FEMALE CONNECTION - J. GUEST Ø8 WITH FILTER AND VNR
47	RS1150A0	CIRC.HEAT. ELEMENT D=230 5 TURNS INCOLOY H78 2900+2000
48	TB008	TRANSPARENT TUBE PE 7,93x4,75
49	TB1045A0	STAINLESS STEEL INNER WATER TUBE D=16 TH=1 XVC204/304
50	VE1135A0	VENTURI ACTUATOR 220 V 50/60 Hz SERIES 2
51	TB1515A0	STAINLESS STEEL EXTERNAL WATER TUBE + WELDED CONNECTIO
52	TF1010A0	TEFLON BUSHING FOR INTERNAL GLASS HINGE XVC204/304/50
53	TR1040A1	MOLDED CORE PROBE L=1320
54	TR1045A0	TEMPERATURE PROBE NTC 150
55	TR255B	SAFETY THERMOSTAT+UNIPOL. 330°C Ty95H L=1300mm

56	VE1005A1	HALOGEN LAMP 40W
57	VE1010A1	TEMPERED LIGHT BULB GLASS COVER
58	VE1015A1	LAMP HOLDER SERIE 2 FOR HALOGEN LAMP
59	VE1020A0	MAGNETIC DOOR MICROSWITCH
60	VE1030A1	MAGNET FOR DOOR MICROSWITCH D=22,9mm
61	VE1075A0	CABLE PRESS FV 268 RO
62	VE1095A0	REMOTE CONTROL SWITCH GE 25A 230V 50/60 Hz CL01A400T6
63	VE1100A0	TERMINAL BOARD BLACK NYLON COVER XBT/XVT
64	VE221	ICAR CONDENSER PRL 5uF 450V FASTON
65	VII035A1	CHROMIUM PLATED BRASS NUT M6x12,5 TO STOP LATERAL SUP
66	VII515A1	STAINLESS STEEL CORE PROBE SUPPORT WITH CANAL FOR CABLE
67	VM1065A0	PLASTIC COVER FOR FUMES CHIMNEY LM.
68	VM1075A1	PLASTIC CLIP TO FIX CONTACTORS
69	VM1150A0	CHEFTOP CONTROL PANEL CAP
70	VM1160A0	LOWER DOOR BRACKET XVC204/304/504/704
71	VM1165A0	UPPER DOOR BRACKET XVC204/304/504/704
72	VM1166A0	CAP FOR DOOR UPPER STIRRUP XVC204/304/504/704
73	VM1170A0	DOOR UPPER FULCRUM-CAP XVC204/304/504/704
74	VM1171A0	DOOR LOWER FULCRUM-CAP XVC204/304/504/704
75	VM1175A0	DOOR COLUMN BLANKING CAP XVC204/304/504/704
76	VM1190A0	RIGHT DOOR SPRING LATCH XVC204/304/504/704
77	VM1191A0	LEFT DOOR SPRING LATCH XVC204/304/504/704
78	VM1192A0	DOOR SPRING LATCH CAP XVC204/304/504/704
79	VM1195A0	HOLES BLANKING PLATE XVC204/304/504/704
80	VM1196A0	PASSAGE PLATE FOR ACCESSORIES CABLES CHEFTOP
81	VM1201A0	SUPPORT PLATE FOR DOOR MAGNETIC MICROSWITCH
82	VM1206A0	DOOR DROP PRESERVER FOR XVC304/504/704
83	VM1216A0	DRIP TRAY XVC304/504/704
84	VM1220A0	CLIP TO FIX DRIP TRAY C.T.
85	VM1230A0	UPPER ALUMINIUM HINGE FOR INTERNAL GLASS XVC204/304/5
86	VM1231A0	LOWER ALUMINIUM HINGE FOR INTERNAL GLASS XVC204/304/5
87	VM1235A0	UPPER HOOK TO STOP INNER GLASS XVC204/304/504/704
88	VM1236A0	LOWER HOOK TO STOP INNER GLASS XVC204/304/504/704
89	VM1260A0	90°C CURVED DRAIN PIPE
90	VM250	"COMB" TERMINAL BOARD
91	VNI000B0	MOTOR COND.5uF 200W ALB.M8 CONN.5 TERMINALS
92	VNI025A2	FAN D=196 H=61 38 BLADES STAINLESS STEEL NUT M8
93	VTI095A0	INNER GLASS 633X432X6 BETFL XVC304
94	VTI096A0	EXTERNAL SER. GLASS 647X557X4 LIGHT TFL XVC304