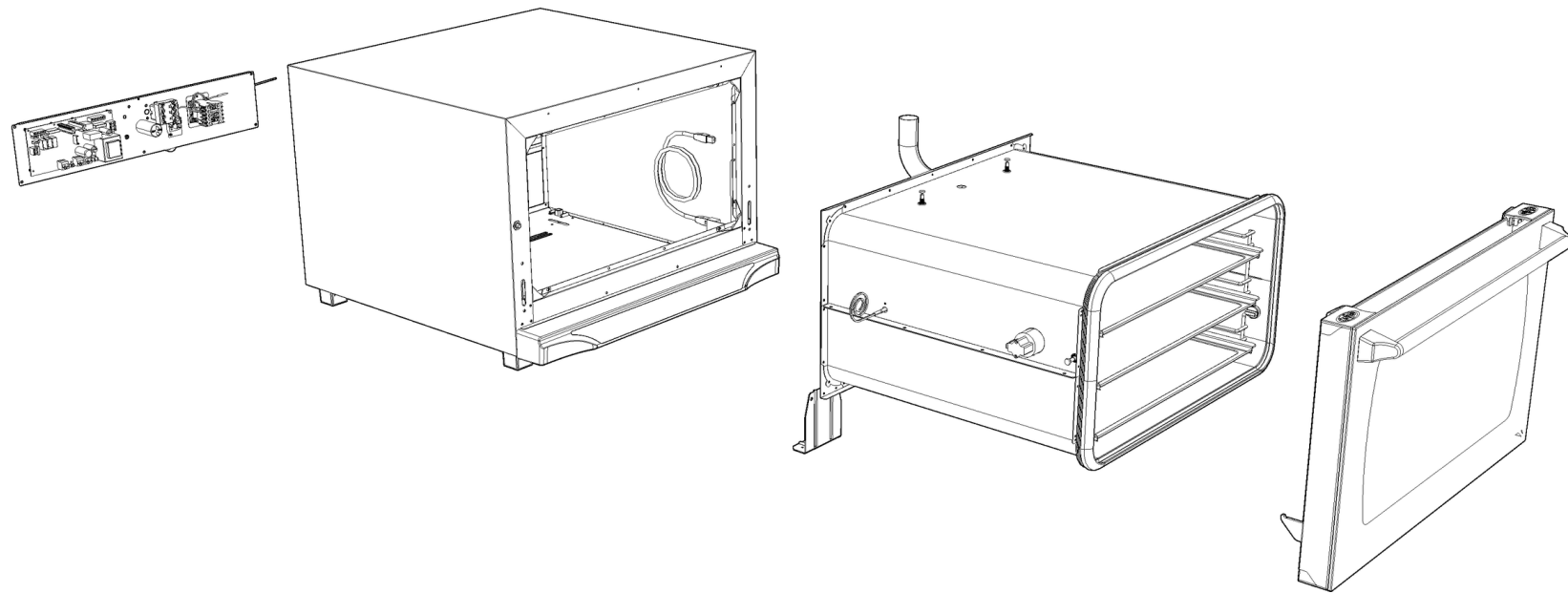
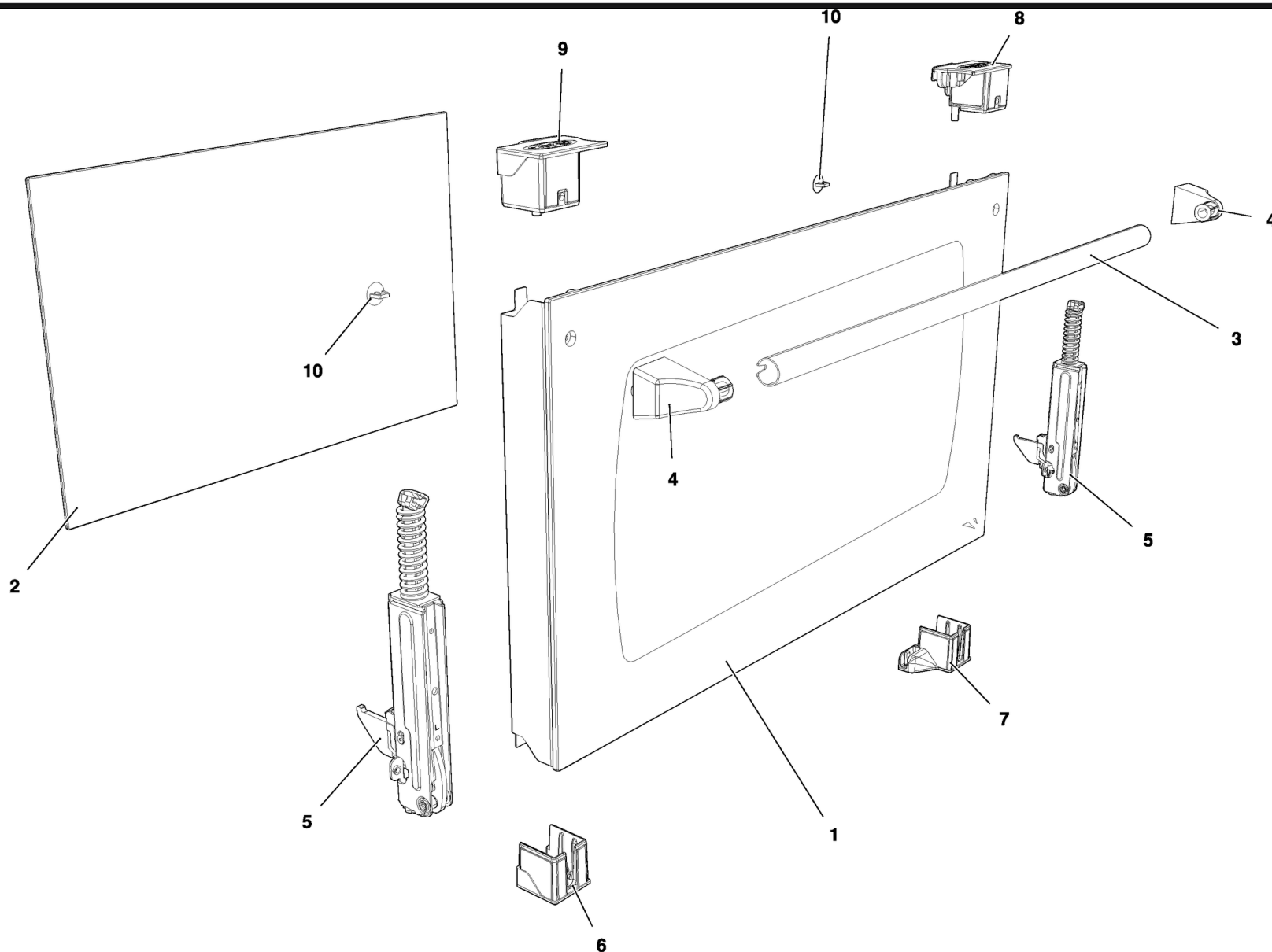


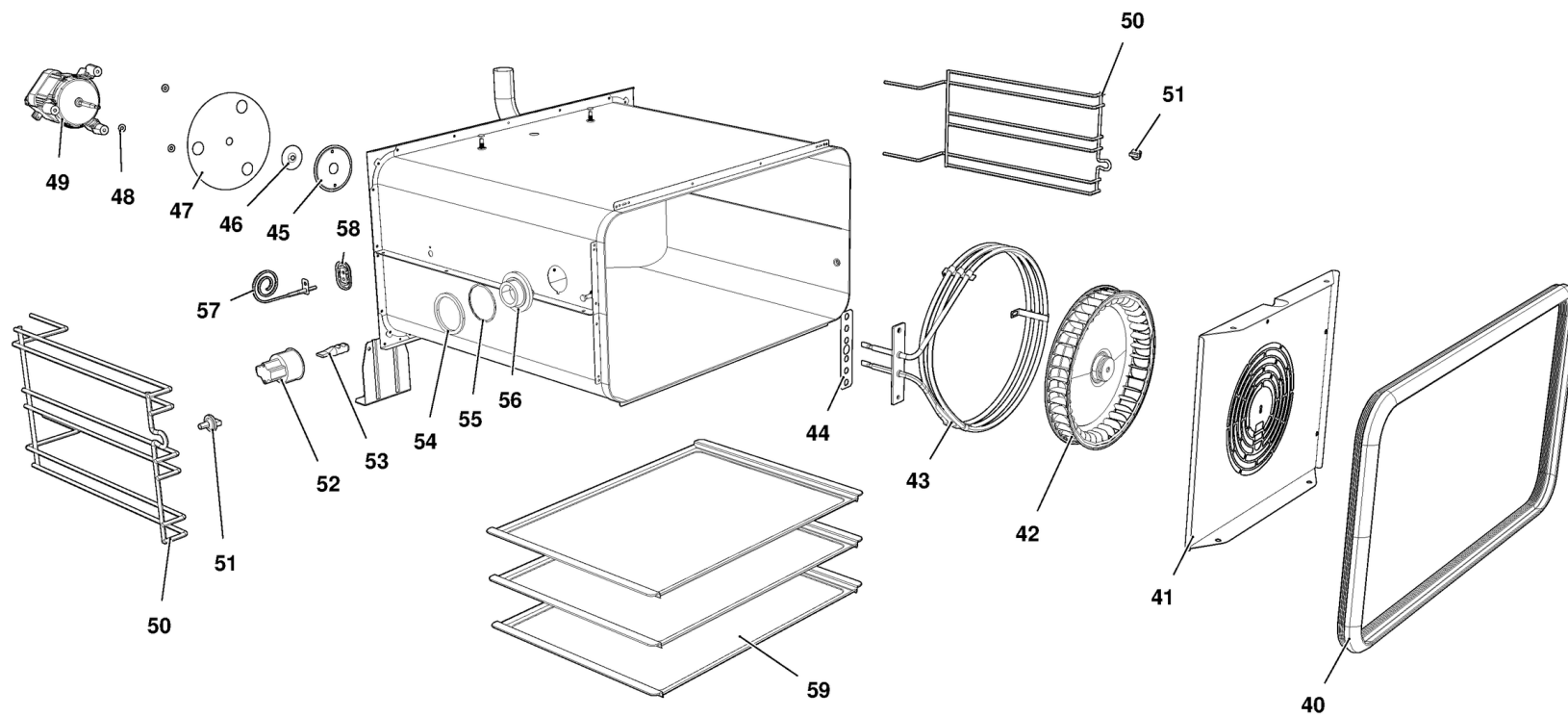
MOD:XFT110



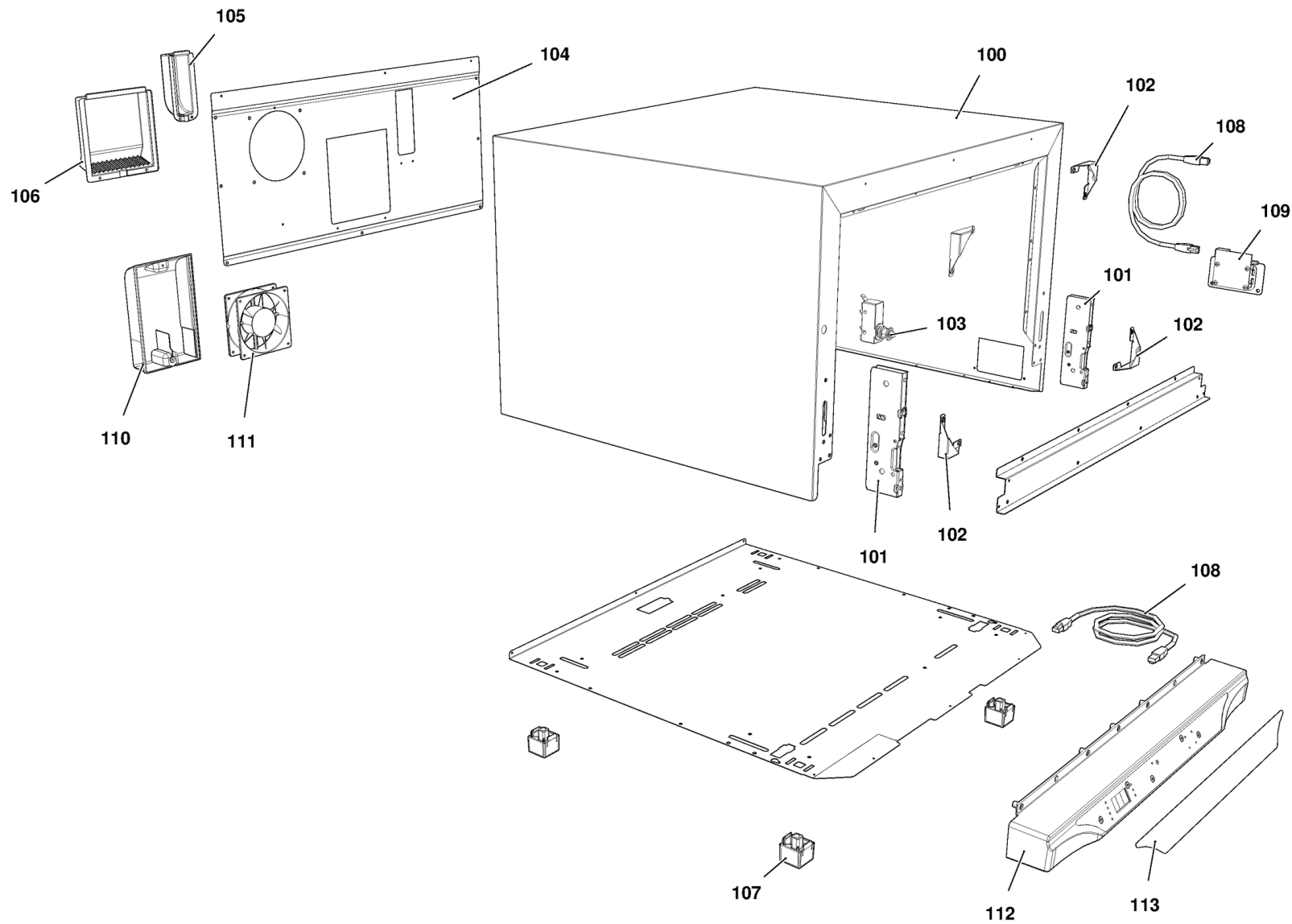
MOD:XFT110



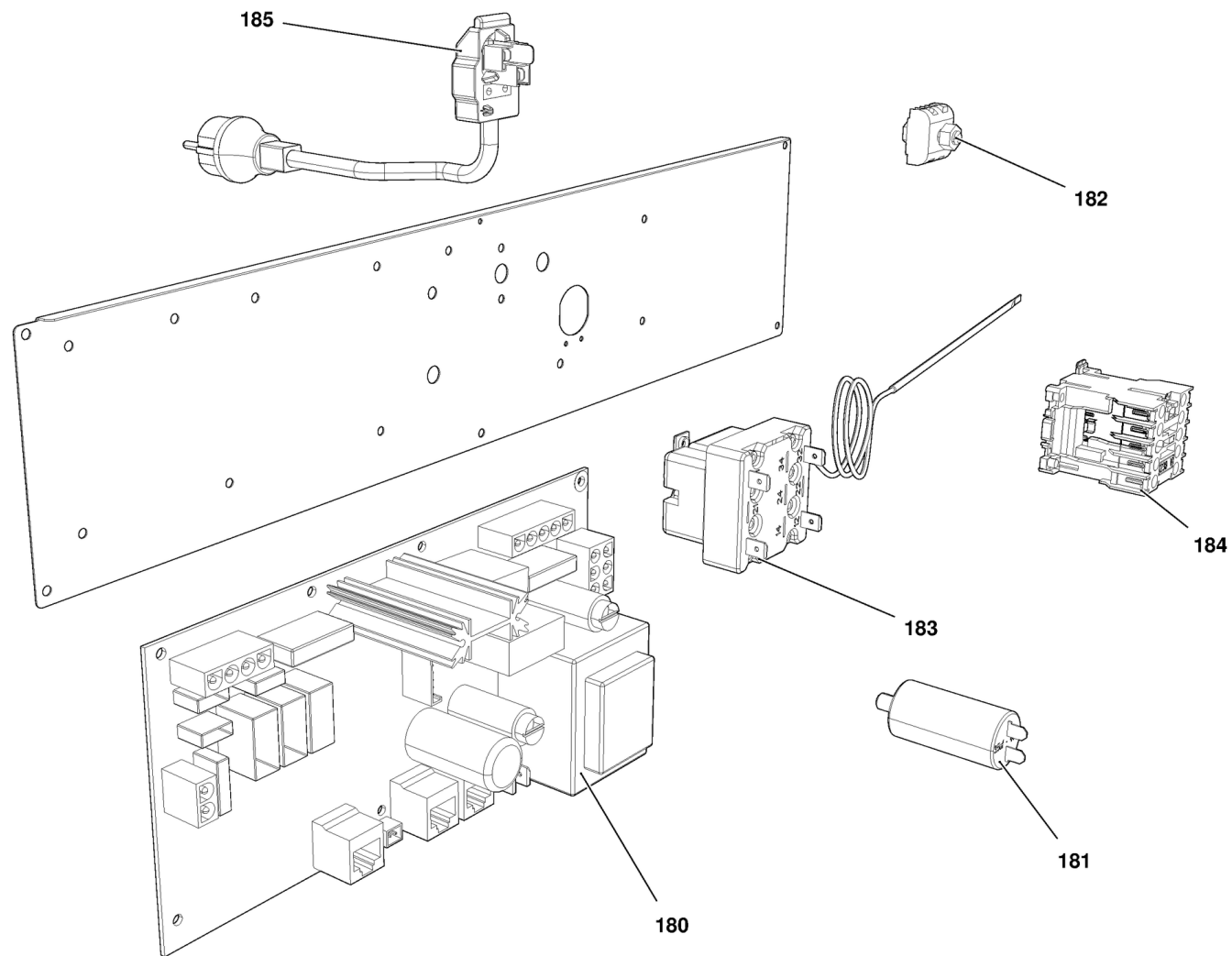
MOD:XFT110



MOD:XFT110



MOD:XFT110



MOD:XFT110



IT

Descrizione codici

1	VT1057A	VETRO ESTERNO SER. GRIGIO 598X344X5
2	VT1055A	VETRO INTERNO 515X334X4 BETFL
3	OH1925B	TUBO MANIGLIA L= 518 Ø18x1
4	MG1015B	TERMINALE MANIGLIA L.MISS/L.MICRO/CHEFTO
5	CR1010A	CERNIERA PORTA FORNO RIBALTA L.M.
6	VM2065A	TAPPO COLONNINA LM600 INF SX
7	VM2064A	TAPPO COLONNINA LM600 INF DX
8	VM2062A	TAPPO COLONNINA LM600 SUP DX
9	VM2063A	TAPPO COLONNINA LM600 SUP SX
10	VM1025A	TAPPO NYLON PA66 V2 GRIGIO Ø16
40	GN1351A	GN1110A-GUARNIZIONE PORTA LM STEFANIA
41	OG1105B	CARTER ARIA LM STEFANIA
42	VN1050A	VENTOLA D=196 H=32 38 PALE INOX DADO M6
43	RS1130A	RESISTENZA CIRCOLARE D=230 3 SPIRE
44	GN1327A	GUARNIZIONE RES. 100X22
45	OH3020A	DISCO TENUTA ALBERO MOTORE
46	GN1135A	GUARNIZIONE PORTAMOTORE STAMP.
47	OH3585A	LAMIERA PROTEZIONE MOTORE ZINCATO L.M.
48	GN1270A	RONDELLA PIANA 13X5.5X0.8 CARBOGRAFITE
49	VN1035B	MOTORE SISME 230 VAC LINE MISS
50	GRL1005A	GRIGLIA LATERALE DX/SX CROMATA
51	VM1815A	NOTTOLINO M6 CROMATO FISS. GRIGLIE
52	VE1015A	PORTA LAMPADA SERIE 2 PER LAMPADA
53	VE1005A	LAMPADA HALOPIN 25W
54	GN1065A	GUARNIZIONE PORTALAMPADA DE=53.2
55	GN1055A	OR 46x2 VMQ.70 ROSSO
56	VT1195A	VETRO COPRILAMPADA BOROSILICATO TEMPRATO
57	TR1105A	SONDA TEMPERATURA PT100 L1000
58	VM2052A	COPERCHIO Sonda TEMPERATURA LM
59	TG305	TEGLIA 460x330 PIANA ALLUMINIO
100	OD1270C	MANTELLINO LM STEFANIA

101	CR1000A	ATTACCO CERNIERA PORTA FORNO RIBALTA
102	OH1450A	ANGOLO FACCIATA MUFFOLA INOX XB-XV-XG
103	VE1295A	MICROINTERRUTTORE PORTA MK 16A 230V UL
104	OF1080C	SCHIENA LM STEFANIA
105	VM1951A	CUFFIA COPRICAMINO IP
106	VM1952A	COPRIMOTORE IP
107	PD1001A	PIEDINO 35X35 H26 PLASTICA+GOMMA GRIGIO
108	CE1012A	CAVO DI RETE RJ45 L1MT
108	CE1012A	CAVO DI RETE RJ45 L1MT
109	PE2012A	ASSIEME UNOXLink LM RJ45
110	VM1556A	PROTEZIONE VENTOLA RAFFREDDAMENTO CT-BT
111	VN1163A	VENTOLA RAFFREDDAMENTO 230V
112	VM2184A	CONTROLLO COMPLETO LM600 CLASSIC
113	MS1016A	MASCHERINA SERIGRAFATA CLASSIC LM600 TOU
180	PE2010A	SCHEDA POTENZA 230V LM CLASSIC
181	VE1145A	CONDENSATORE 3,5 µF 450 Vac 50/60 Hz
182	VM1750A	MORSETTIERA A PETTINE
183	TR1140A	TERM.SIC.BIP. 350°C RIARMO MANUALE
184	VE1115A	MINICONTATTORE QUADRIPOLORE 20 A 230 V
185	MR1000A	CAVO 3X1,5 H07RN-F MT1,5+K2/3+SCHUKO

MOD:XFT110



EN

Codes descriptions

1	VT1057A	L.MISS STEFANIA EXTERNAL GLASS 598x344x5
2	VT1055A	INNER GLASS 515x334x4 BETFL L.M.
3	0H1925B	ST.STEEL HANDLE TUBE Ext.D=18 Th=1 L=518
4	MG1015B	L.MISS/L.MICRO/CHEFTOP HANDLE TERMINALS
5	CR1010A	HINGE DOOR L.M. STEFANIA
6	VM2065A	L.Miss 46x33 LEFT LOWER DOOR COLUMN CAP
7	VM2064A	L.Miss 46x33 RIGHT LOWER DOOR COLUMN CAP
8	VM2062A	L.Miss 46x33 RIGHT UPPER DOOR COLUMN CAP
9	VM2063A	L.Miss 46x33 LEFT UPPER DOOR COLUMN CAP
10	VM1025A	NYLON LID PA66 V2 GREY Ø16
40	GN1351A	L.MISS STEFANIA DOOR GASKET - GN1110A
41	OG1105B	L.M. STEFANIA FAN GUARD
42	VN1050A	STAINLESS STEEL FAN D=196 H=32 38 BLADES
43	RS1130A	CIRC.HEAT.ELEMENT D=230 3 TURNS
44	GN1327A	HEATING ELEMENT GASKET 100X22X0.8
45	0H3020A	MOTOR SHAFT SEALING DISC
46	GN1135A	MOTOR SUPPORT SEALING
47	0H3585A	ZINCATE MOTOR GUARD PLATE L.M.
48	GN1270A	FALT WASHER 13x5.5x0.8
49	VN1035B	LINE MISS 230 VAC MOTOR
50	GRL1005A	RIGHT/LEFT LATERAL GRID CHROM.PLATED
51	VM1815A	M6 LATERAL SUPPORTS FIXING BOLT
52	VE1015A	LAMP HOLDER SERIE 2 FOR HALOGEN LAMP
53	VE1005A	HALOGEN LAMP 33W ENERGY SAVER
54	GN1065A	SEAL FOR LAMP GLASS COVER (PURE
55	GN1055A	OR 46x2 VMQ.70 RED
56	VT1195A	BOROSILICATE LIGHT BULB GLASS COVER
57	TR1105A	TEMPERATURE PROBE PT100 L1000
58	VM2052A	LineMiss TEMPERATURE PROBE COVER
59	TG305	TRAY 460x330 FLAT ALUMINIUM
100	OD1270C	L.MISS STEFANIA EXTERNAL CHASING

101	CR1000A	HINGE LATCH L.M.
102	0H1450A	XB-XV-XG ST. STEEL MUFFLE FRONT CORNER
103	VE1295A	DOOR MICROSWITCH MK 16A 230V UL
104	0F1080C	LineMiss STEFANIA EXTERNAL BACK PANEL
105	VM1951A	IP CHIMNEY COVER
106	VM1952A	IP MOTOR COVER
107	PD1001A	FOOT 35X35 H26 GREY PLASTIC+RUBBER
108	CE1012A	RJ45 CABLE L= 1 MT
108	CE1012A	RJ45 CABLE L= 1 MT
109	PE2012A	Line Miss RJ45 UNOXLink CONNECTING POINT
110	VM1556A	XBC-XVC COOLING FAN GUARD
111	VN1163A	COOLING FAN 230V
112	VM2184A	COMPLETE CONTROL LM600 CLASSIC
113	MS1016A	L.M. TOUCH CLASSIC CONTROL BOARD STICKER
180	PE2010A	LineMiss CLASSIC TOUCH POWER CARD
181	VE1145A	CONDENSER 3.5 µF 450 Vac 50/60 Hz
182	VM1750A	TERMINAL BOARD
183	TR1140A	350°C SAFETY THERMOSTAT MANUAL RESET
184	VE1115A	MINICONTRACTOR WITH 4 POLES 20 A 230 V
185	MR1000A	CABLE 3X1,5 H07RN-F MT1,5+K2/3+SCHUKO