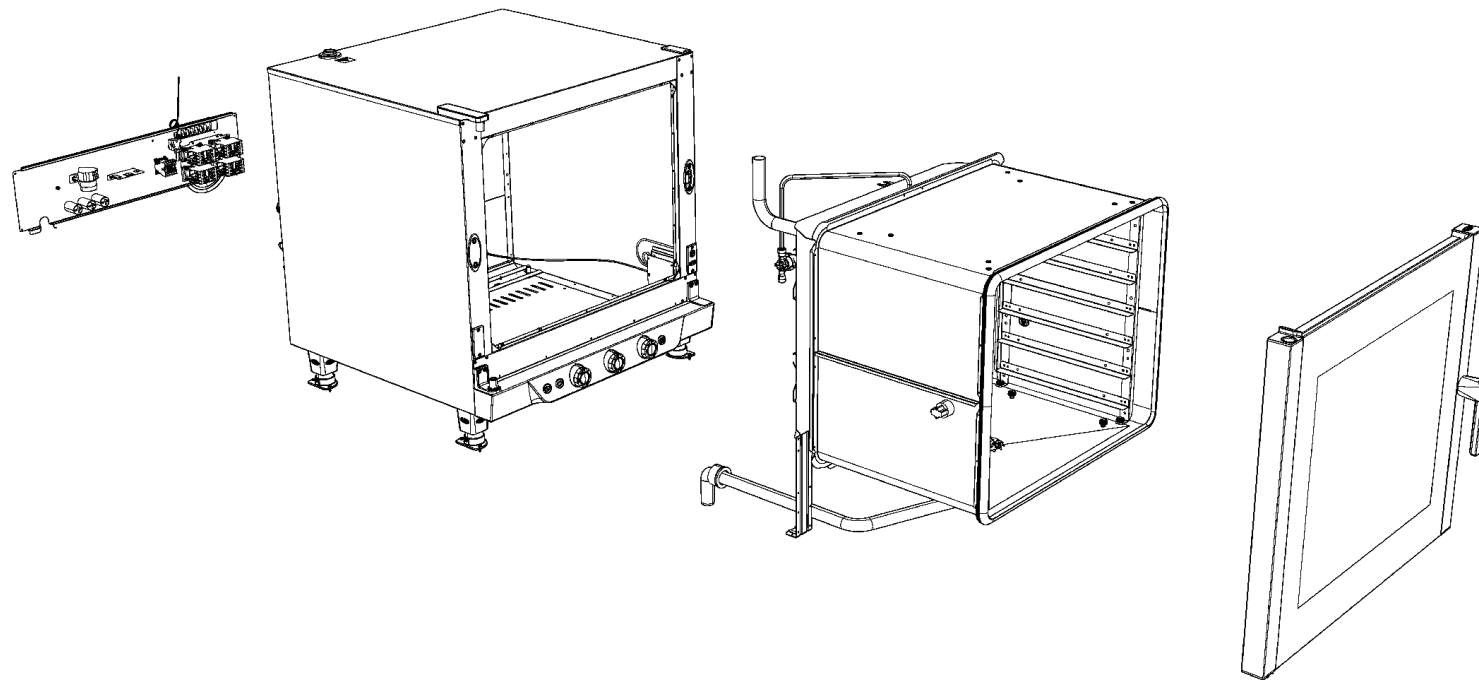
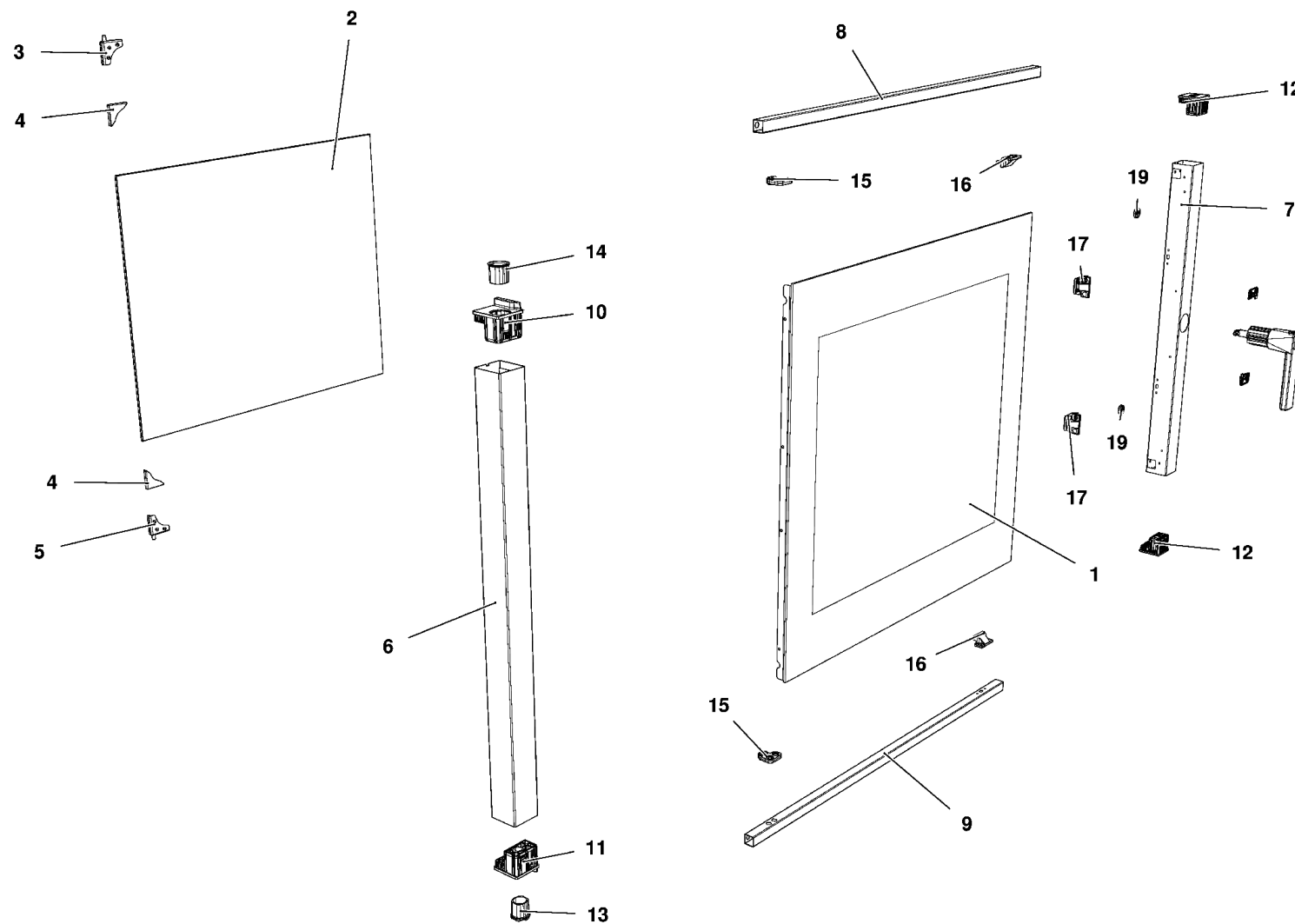


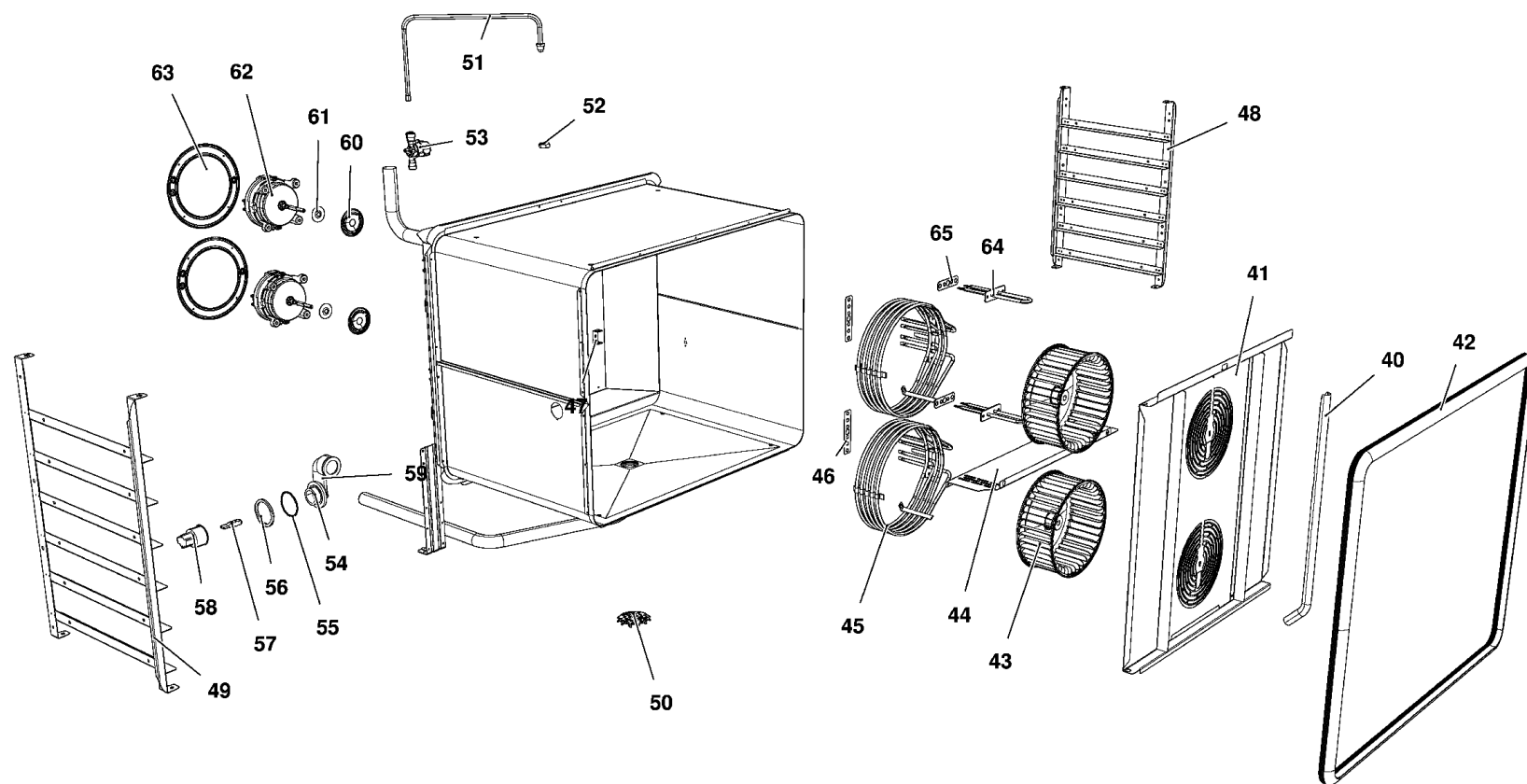
MOD:XB693



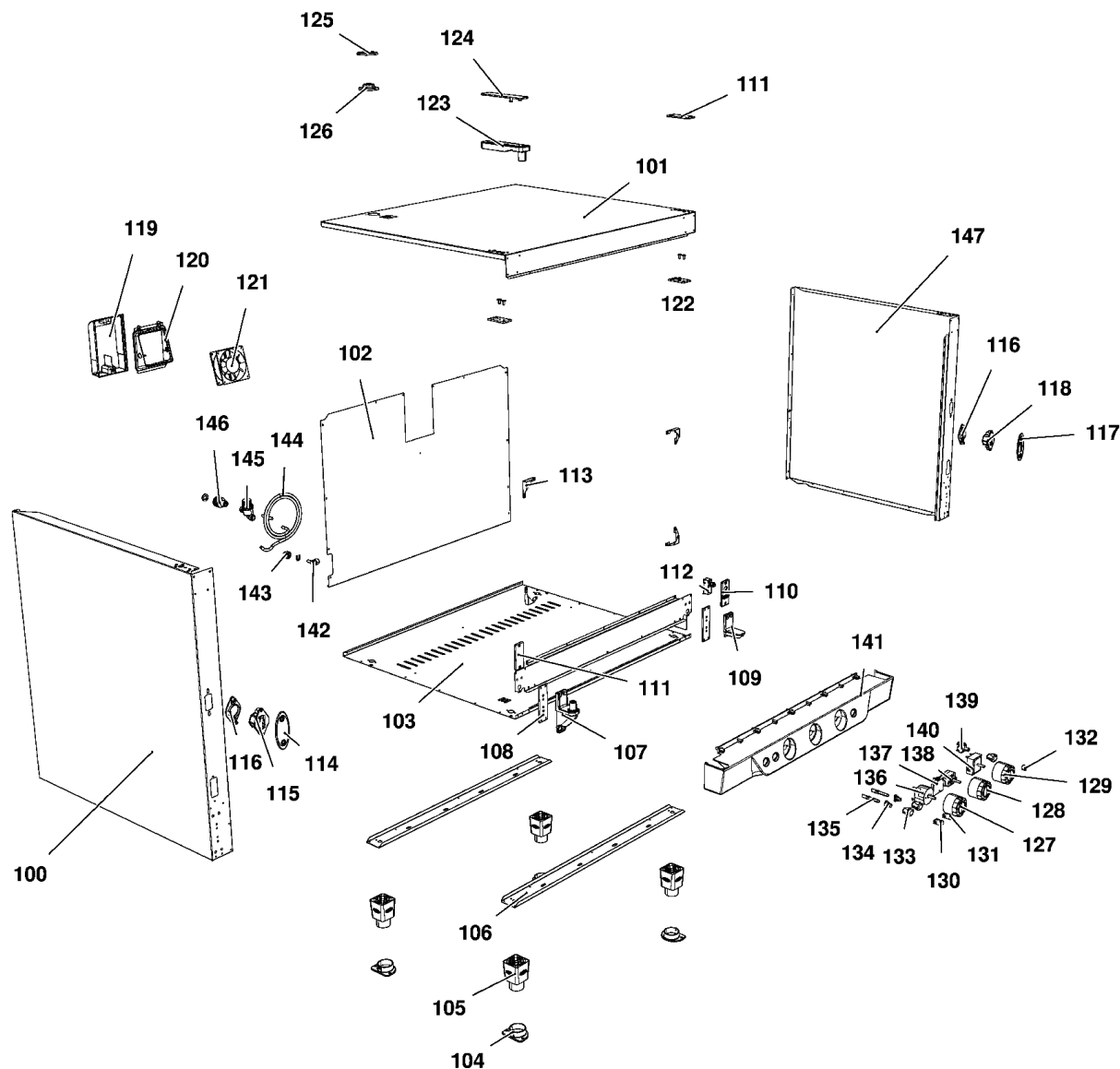
MOD:XB693



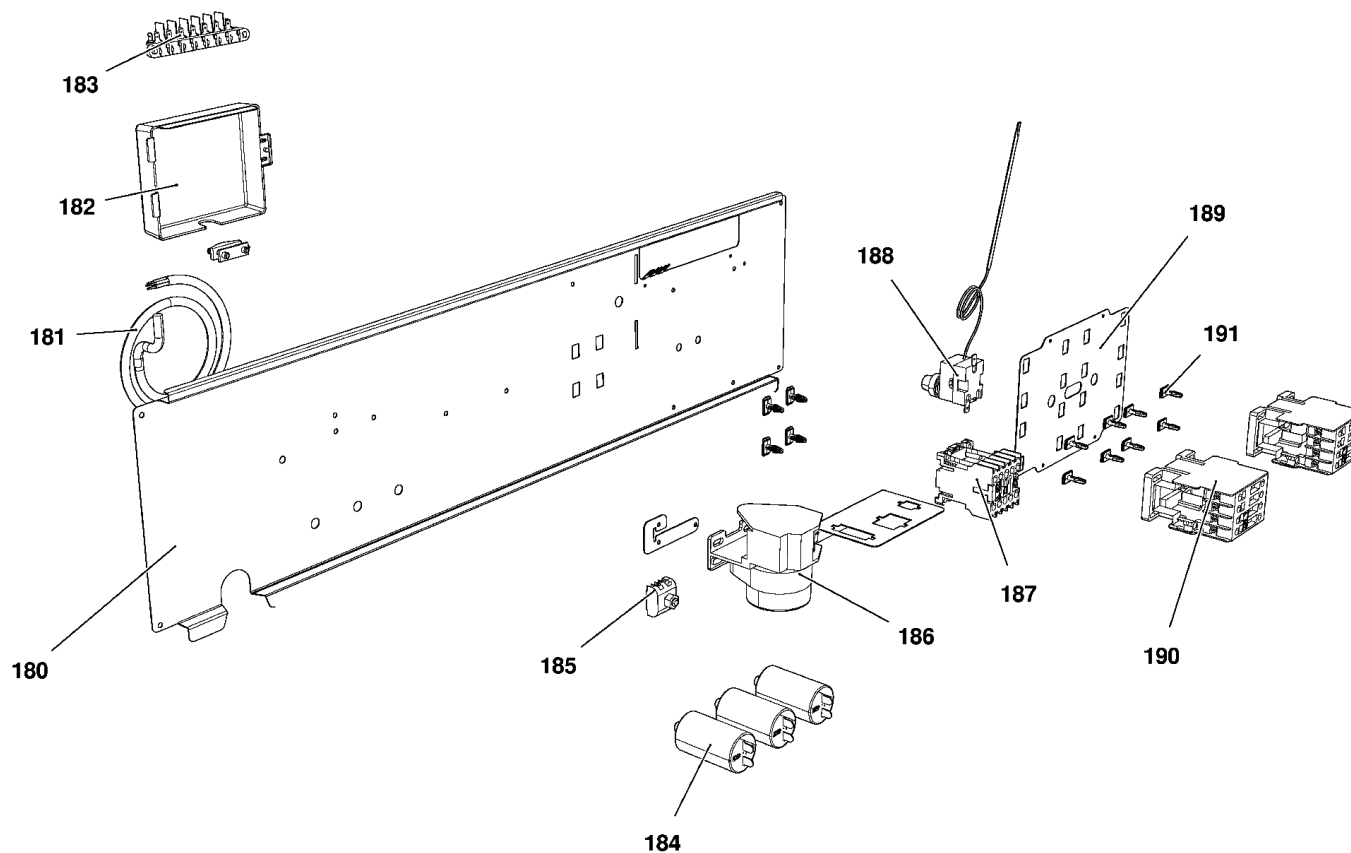
MOD:XB693



MOD:XB693



MOD:XB693



MOD:XB693



IT

Descrizione codici

| | | |
|----|----------|--|
| 1 | VT1255A | VETRO ESTERNO XB69- XC59- |
| 2 | VT1135A | VETRO INTERNO 743X620X6 BETFL |
| 3 | CR1085A | CERNIERA VETRO INT INOX SUP |
| 4 | GN1181A | GUARNIZIONE CERN VETRO INT CR1085-1086 |
| 5 | CR1086A | CERNIERA VETRO INT INOX INF |
| 6 | TB2383A | COLONNINA SX PORTA BAKERLUX 6TG |
| 7 | TB2382A | COLONNINA DX PORTA BAKERLUX 6TG |
| 8 | TB2384B | LISTELLO SUPERIORE BL CL |
| 9 | TB2404A | LISTELLO INFERIORE BL CL |
| 10 | VM1977A | TAPPO FULCRO SUPERIORE PORTA CL BL |
| 11 | VM1978A | TAPPO FULCRO INFERIORE PORTA CL BL |
| 12 | VM1976A | TAPPO ESTETICO COLONNINA PORTA CL BL |
| 13 | VM1510A | BOCCOLA SCANALATA PERNO PORTA XBC/XVC |
| 14 | VM1511A | BOCCOLA LISCIA PERNO PORTA CHEFFTOP |
| 15 | VM1680A | CERNIERA APERTURA VETRO INTERNO |
| 16 | VM2043A | SUPPORTO VETRO SUP - INF |
| 17 | VM2042A | ASSIEME CHIUSURA VETRO INTERNO LAT |
| 17 | VM2042A | ASSIEME CHIUSURA VETRO INTERNO LAT |
| 19 | VM2008A | DISTANZIALE PER MICROPORTA MECC |
| 40 | TB2215A | TUBO INTERNO UMIDITA' XB69- XV59- Ø16X1 |
| 41 | OG1474A | CARTER PUNTATO XB69- XV59- |
| 42 | GN1342B | GN1000B-GUARNIZIONE PORTA XBC604-605 |
| 43 | VN1030A | VENTOLA D196 H81 39 PALE DADO M8 |
| 44 | OG1476A | DISTANZIALE CARTER BL CL |
| 45 | RS1150A | RESISTENZA CIRC. D=230 5 SPIRE |
| 46 | GN1327A | GUARNIZIONE RES. 100X22 |
| 47 | OH4820A | STAFFA SOSTEGNO BULBO |
| 48 | GRL1291A | SUPPORTO LAT. DX BL 6 600X400 |
| 49 | GRL1290A | SUPPORTO LAT. SX BL 6 600X400 |
| 50 | OH2551A | TAPPO PER TUBO DI SCARICO LIQUIDI INOX C |
| 51 | TB1515A | TUBO EST. UMIDITA' + RC1165A0 |

| | | |
|-----|---------|--|
| 52 | RC1170A | DADO M14 H=8 CH=22 INOX |
| 53 | EL1252A | ELETTROVALVOLA H2O 1 VIA RID. VERDE |
| 54 | VT1195A | VETRO COPRILAMPADA BOROSILICATO TEMPRATO |
| 55 | GN1055A | OR 46X2 VMQ 70 ROSSO |
| 56 | GN1065A | GUARNIZIONE PORTALAMPADA DE=53.2 |
| 57 | VE1005A | LAMPADA HALOPIN 25W |
| 58 | VE1015A | PORTA LAMPADA SERIE 2 PER LAMPADA |
| 59 | VM1260A | CURVA A 90° RACCORDO SCARICO |
| 60 | OH4305A | DISCO TENUTA ALBERO MOTORE INOX STP |
| 61 | GN1140A | GUARNIZIONE PORTAMOTORE STAMP. |
| 62 | VN1130A | MOTORE FORNO 330W 230V 50/60HZ |
| 63 | OH3586A | LAMIERA PROTEZIONE MOTORE ZINCATO |
| 64 | RS1261A | RESISTENZA MOTORE BAKERLUX\CHEFLUX |
| 65 | GN1326A | GUARNIZIONE RESISTENZA 71X19 G6.25 |
| 100 | OD2132A | FIANCO SX XB69- XV59- |
| 101 | OD2125A | COPERCHIO BAKERLUX CHEFLUX |
| 102 | OF1428A | SCHIENA ZINCATA XB69- XV59- |
| 103 | OE1303A | FONDO ZINCATO BAKERLUX CHEFLUX |
| 104 | PD1063A | STAFFA BLOCCAGGIO PIEDE CT BT |
| 105 | PD1066B | PIEDE H100 PLASTICA BICOMPONENTE |
| 106 | OH6335A | LONGHERONE PIEDINI |
| 107 | VM1975A | STAFFA INFERIORE SOSTEGNO PORTA |
| 108 | OH6333A | CONTROSTAFFA PORTA FILETTATA BL CL |
| 109 | VM1974A | PIASTRINA CHIUSURA CRUSCOTTO |
| 110 | VM1200A | PIASTRINA SUPPORTO MICROPORTA MECCANICO |
| 111 | VM1195A | PIASTRINA COPRIFORI XVC204/304/504/704 |
| 112 | VE1295A | MICROINTERRUTTORE PORTA MK 16A 230V UL |
| 113 | OH1450A | ANGOLO FACCIATA MUFFOLA INOX XB-XV-XG |
| 114 | VM1461A | COPERCHIO SX SCROCCO PORTA XBC/XVC |
| 115 | VM1191A | SCROCCO MANIGLIA SX CT BT |
| 116 | VM1192A | COPERCHIO SCROCCO MANIGLIA CT BT |

| | | |
|-----|---------|---|
| 117 | VM1460A | COPERCHIO DX SCROCCO PORTA XBC/XVC |
| 118 | VM1190A | SCROCCO MANIGLIA DX CT BT |
| 119 | VM1556A | PROTEZIONE VENTOLA RAFFREDDAMENTO CT-BT |
| 120 | VM1555A | SUPPORTO VENTOLA RAFFREDDAMENTO CT BT |
| 121 | VN1162A | VENTOLA 230V BL CL |
| 122 | OH2560A | CONTROSTAFFA ZINCATA PORTA C.T. |
| 123 | VM1165B | STAFFA SUPERIORE PORTA CT BT |
| 124 | VM1166A | COPERCHIO STAFFA SUPERIORE PORTA |
| 125 | OH3790A | LAMIERA TENUTA CAMINO |
| 126 | GN1275A | GUARNIZIONE CAMINO SILICONE NERO XVC |
| 127 | MN1111A | MANOPOLA TERMOSTATO CHEFLUX BAKERLUX |
| 128 | MN1112A | MANOPOLA TIMER CHEFLUX BAKERLUX |
| 129 | MN1113A | MANOPOLA UMIDITA CHEFLUX BAKERLUX |
| 130 | VE1585A | GEMMA ELLITTICA AZZURRA SINUSOIDE ORO |
| 131 | VE1530A | GEMMA ELLITTICA AZZURRA TERMOMETRO ORO |
| 132 | VM2007A | TASTO ARGENTO OPACO VELOCITA VENTOLA |
| 133 | VM2009A | SUPPORTO ELLITTICO D16 ARGENTO |
| 134 | VM1762A | SUPPORTO LAMPADA INTERNO |
| 135 | VE1535A | LED BIANCO 230V |
| 136 | TM1005A | TIMER MI2 60 MIN 250V 16A |
| 137 | TM1001C | SUONERIA ELETTRONICA 15 SEC 120V |
| 138 | TR1100A | TERMOSTATO REG. 269°C 55.19052.80 |
| 139 | VE1561A | PULSANTE BIPOLARE NA/NA |
| 140 | VE1556A | REGOLATORE ENERGIA 240V |
| 141 | VM1972A | CRUSCOTTO BAKERLUX/CHEFLUX MECCANICO |
| 142 | EL1195A | RACCORDO A GOMITO CON J.GUEST |
| 143 | EL1185A | RACCORDO A GOMITO J.GUEST Ø8 - Ø8 |
| 144 | TB1980A | TB1815A-ALLACCIAMENTO FORNI ALLA RETE |
| 145 | EL1375A | FILTRO ACQUA Ø8 MESH100 |
| 146 | RC1210A | RACCORDO 3/4 VALVOLA DI NON RITORNO |
| 147 | OD2133A | FIANCO DX MANUAL XB693 XB593 |

| | | |
|-----|---------|--|
| 180 | OH6241B | SUPPORTO COMPONENTI BL CL MANUAL |
| 181 | CE1460A | CAVO 5X4MMQ H07RN-F L=1,8MT |
| 182 | VM1310A | SCATOLA COPRI MORSETTIERA XB/XV/XVC/XG |
| 183 | MR1004A | MORSETT. 7FTW GV V0 VL CU 1+2+3/4+5+6 |
| 184 | VE1110A | CONDENSATORE 6,3 7F 450VAC 50/60HZ |
| 185 | VM1750A | MORSETTIERA A PETTINE |
| 186 | VE1555A | INVERTITORE DI MARCIA |
| 187 | VE1115A | MINICONTATTORE QUADRIPOLARE 20 A 230 V |
| 188 | TR1136A | TERMOSTATO SIC. UNIP. 330°C |
| 189 | OH6361A | LAMIERA FISSAGGIO TELERUTTORI |
| 190 | VE1095A | TELERUTTORE GE 25A 230V 50/60 |
| 191 | VM1075A | CLIP DI FISSAGGIO PER TELERUTTORI |

MOD:XB693



EN

Codes descriptions

| | | |
|----|----------|--|
| 1 | VT1255A | XB69- XC59- EXTERNAL GLASS |
| 2 | VT1135A | INTERNAL GLASS 743X620X6 XBC604 |
| 3 | CR1085A | INTERNAL GLASS UPPER HINGE |
| 4 | GN1181A | CR1085-1086 INTERNAL GLASS HINGE SEAL |
| 5 | CR1086A | INTERNAL GLASS LOWER HINGE |
| 6 | TB2383A | BAKERLUX XB693-695 DOOR LEFT COLUMN |
| 7 | TB2382A | BAKERLUX XB693-695 DOOR RIGHT COLUMN |
| 8 | TB2384B | BAKERLUX CHEFLUX DOOR UPPER LISTEL |
| 9 | TB2404A | BAKERLUX CHEFLUX DOOR LOWER LISTEL |
| 10 | VM1977A | CL BL DOOR UPPER FULCRUM-CAP |
| 11 | VM1978A | CL BL DOOR LOWER FULCRUM-CAP |
| 12 | VM1976A | CL BL DOOR COLUMN BLANKING CAP |
| 13 | VM1510A | XBC/XVC GROOVED DOOR PIN BUSHING |
| 14 | VM1511A | XBC/XVC SLEEK DOOR PIN BUSHING |
| 15 | VM1680A | INTERNAL GLASS HINGE |
| 16 | VM2043A | UPPER - LOWER GLASS SUPPORT |
| 17 | VM2042A | INTERNAL GLASS LATERAL LOCKING SYSTEM |
| 17 | VM2042A | INTERNAL GLASS LATERAL LOCKING SYSTEM |
| 19 | VM2008A | SPACER FOR MICROSWITCH |
| 40 | TB2215A | XB69- XV59- HUMIDITY INTERNAL PIPE Ø16X1 |
| 41 | OG1474A | XB69- XV59- FAN GUARD |
| 42 | GN1342B | DOOR GASKET GN1000B FOR XBC604-605 |
| 43 | VN1030A | MOTOR FAN D196 H81 39 BLADE NUT M8 |
| 44 | OG1476A | BL CL FAN GUARD SPACER |
| 45 | RS1150A | CIRC.HEAT. ELEMENT D=230 5 TURNS |
| 46 | GN1327A | HEATING ELEMENT GASKET 100X22X0.8 |
| 47 | OH4820A | BULB HOLDING BRACKET |
| 48 | GRL1291A | BAKERLUX 6 600X400 RIGHT LATERAL SUPPORT |
| 49 | GRL1290A | BAKERLUX 6 600X400 LEFT LATERAL SUPPORT |
| 50 | OH2551A | XBC/XVC ST.STEEL DRAIN COVER |
| 51 | TB1515A | EXTERNAL WATER PIPE + RC1165A0 |

| | | |
|-----|---------|---|
| 52 | RC1170A | STAINLESS STEEL NUT M14 H=8 CH=22 |
| 53 | EL1252A | ONE INLET WATER VALVE J.G.CONN. |
| 54 | VT1195A | BOROSILICATE LIGHT BULB GLASS COVER |
| 55 | GN1055A | OR 46X2 VMQ 70 RED |
| 56 | GN1065A | SEAL FOR LAMP GLASS COVER (PURE |
| 57 | VE1005A | HALOGEN LAMP 33W ENERGY SAVER |
| 58 | VE1015A | LAMP HOLDER SERIE 2 FOR HALOGEN LAMP |
| 59 | VM1260A | 90°C CURVED DRAIN PIPE |
| 60 | OH4305A | ST. STEEL MOTOR SHAFT SEALING DISC |
| 61 | GN1140A | MOLDED MOTOR SUPPORT GASKET |
| 62 | VN1130A | 330W 230V 50/60HZ MOTOR |
| 63 | OH3586A | ZINCATE MOTOR GUARD PLATE XBC-XVC |
| 64 | RS1261A | BAKERLUX\CHEFLUX BREAKING FAN ELEMENT |
| 65 | GN1326A | ELEMENT SEALING |
| 100 | OD2132A | XB69- XV59- LEFT SIDE EXTERNAL PANEL |
| 101 | OD2125A | BAKERLUX CHEFLUX COVER |
| 102 | OF1428A | XB69- XV59- ZINCED PLATED BACK PANEL |
| 103 | OE1303A | BAKERLUX CHEFLUX ZINCED BOTTOM PANEL |
| 104 | PD1063A | CT BT FOOT STOP BRACKET |
| 105 | PD1066B | BI-COMPONENT FOOT H100 |
| 106 | OH6335A | BRACKET FOR FEET |
| 107 | VM1975A | DOOR SUPPORT LOWER BRACKET |
| 108 | OH6333A | BL CL THREADED DOOR COUNTER BRACKET |
| 109 | VM1974A | BOARD CLOSING PLATE |
| 110 | VM1200A | DOOR MECHANIC MICROSWITCH SUPPORT PLATE |
| 111 | VM1195A | HOLES BLANKING PLATE XVC204/304/504/704 |
| 112 | VE1295A | DOOR MICROSWITCH MK 16A 230V UL |
| 113 | OH1450A | XB-XV-XG ST. STEEL MUFFLE FRONT CORNER |
| 114 | VM1461A | XBC/XVC LEFT DOOR LATCH CAP |
| 115 | VM1191A | CT BT LEFT DOOR SPRING LATCH |
| 116 | VM1192A | CT BT RIGHT DOOR SPRING LATCH COVER |

| | | |
|-----|---------|--|
| 117 | VM1460A | XBC/XVC RIGHT DOOR LATCH CAP |
| 118 | VM1190A | CT BT RIGHT DOOR SPRING LATCH |
| 119 | VM1556A | XBC-XVC COOLING FAN GUARD |
| 120 | VM1555A | CT BT COOLING DOWN FAN SUPPORT |
| 121 | VN1162A | FAN 230V BL CL |
| 122 | OH2560A | XBC/XVC ZINC PLAT. DOOR COUNTERBRACKET |
| 123 | VM1165B | CT BT DOOR UPPER BRACKET |
| 124 | VM1166A | CAP FOR DOOR UPPER STIRRUP XVC204/304/5 |
| 125 | OH3790A | CHIMNEY HOLDING PLATE |
| 126 | GN1275A | XBC/XVC BLACK CHIMNEY SEALING |
| 127 | MN1111A | CHEFLUX BAKERLUX THERMOSTAT KNOB |
| 128 | MN1112A | CHEFLUX BAKERLUX TIMER KNOB |
| 129 | MN1113A | CHEFLUX BAKERLUX HUMIDITY CONTROL KNOB |
| 130 | VE1585A | BLUE LIGHT COVER GOLD SINUSOID |
| 131 | VE1530A | BLUE LIGHT COVER GOLD THERMOMETER |
| 132 | VM2007A | FAN SPEED SILVER BUTTON |
| 133 | VM2009A | ELLIPTICAL SILVER SUPPORT D16 |
| 134 | VM1762A | INNER LAMP SUPPORT |
| 135 | VE1535A | WHITE LED 230V |
| 136 | TM1005A | TIMER MI2 60 MIN 250V 16A |
| 137 | TM1001C | ELECTRONIC BUZZER 15 SEC 120V |
| 138 | TR1100A | 269°C ADJUSTABLE THERMOSTAT 55.19052.80 |
| 139 | VE1561A | BIPOLAR SWITCH NA/NA |
| 140 | VE1556A | THERMAL SWITCH 240V |
| 141 | VM1972A | BAKERLUX/CHEFLUX MANUAL CONTROL PANEL |
| 142 | EL1195A | ELBOW UNION WITH J.GUEST TERMINAL |
| 143 | EL1185A | ELBOW CONNECTION J. GUEST Ø8 - Ø8 |
| 144 | TB1980A | TB1815A-ALLACCIAMENTO FORNI ALLA RETE |
| 145 | EL1375A | Ø8 MESH100 WATER FILTER |
| 146 | RC1210A | 3/4 FEM. UNION +FILTER + NONRETURN VALVE |
| 147 | OD2133A | XB693 XB593 RIGHT SIDE EXTERNAL PANEL |

| | | |
|-----|---------|---|
| 180 | OH6241B | BAKER/CHEFLUX MANUAL COMPONENTS SUPPORT |
| 181 | CE1460A | CABLE 5X4MMQ H07RN-F L=1,8MT |
| 182 | VM1310A | COVER FOR TERMINAL BOX XB/XV/XVC/XG |
| 183 | MR1004A | TERMINAL 7FTW GV V0 VL CU 1+2+3/4+5+6 |
| 184 | VE1110A | CONDENSER 6,3 7F 450VAC 50/60HZ |
| 185 | VM1750A | TERMINAL BOARD |
| 186 | VE1555A | REVERS.SWITCH MOTOR P19.5J.02.H6.17 |
| 187 | VE1115A | MINICONTRACTOR WITH 4 POLES 20 A 230 V |
| 188 | TR1136A | SAFETY THERMOSTAT UNIP. 330°C |
| 189 | OH6361A | REMOTE CONTROL SWITCH FIXING PANEL |
| 190 | VE1095A | REMOTE CONTROL SWITCH GE 25A 230V |
| 191 | VM1075A | PLASTIC CLIP TO FIX CONTACTORS |